

HRS Connector Mounting Details

Underwater Mateable Electrical Connectors

Rubber Keyed

HRS (Hydro Bond Rubber Sealing) : Available Shell Sizes

[click on the shell size below to view page](#)

Shell Size 4 : HRS-04-BLKHD-Bulkhead Mounted Receptacle	01
Shell Size 4 : HRS-3-04-PNL Panel Mount	02
Shell Size 4 : HRS-5-04-PNL Panel Mount	03
Shell Size 5 : HRS-05-BLKHD-Bulkhead Mounted Receptacle	04
Shell Size 5 : HRS-05-PNL Panel Mount	05
Shell Size 5 : HRS-06-Bulkhead Mounted Receptacle	06
Shell Size 5 : HRS-06-PNL Panel Mount	07
Shell Size 8 : HRS-08-BLKHD-Bulkhead Mounted Receptacle 1	08
Shell Size 8 : HRS-08-BLKHD-Bulkhead Mounted Receptacle 2	09
Shell Size 8 : HRS-08-BLKHD-Bulkhead Mounted Receptacle 3	10
Shell Size 8 : HRS-08-PNL Panel Mount	11
Shell Size 11 : HRS-11-BLKHD-Bulkhead Mounted Receptacle	12
Shell Size 11 : HRS-11-PNL Panel Mount	13





click to go back to INDEX page

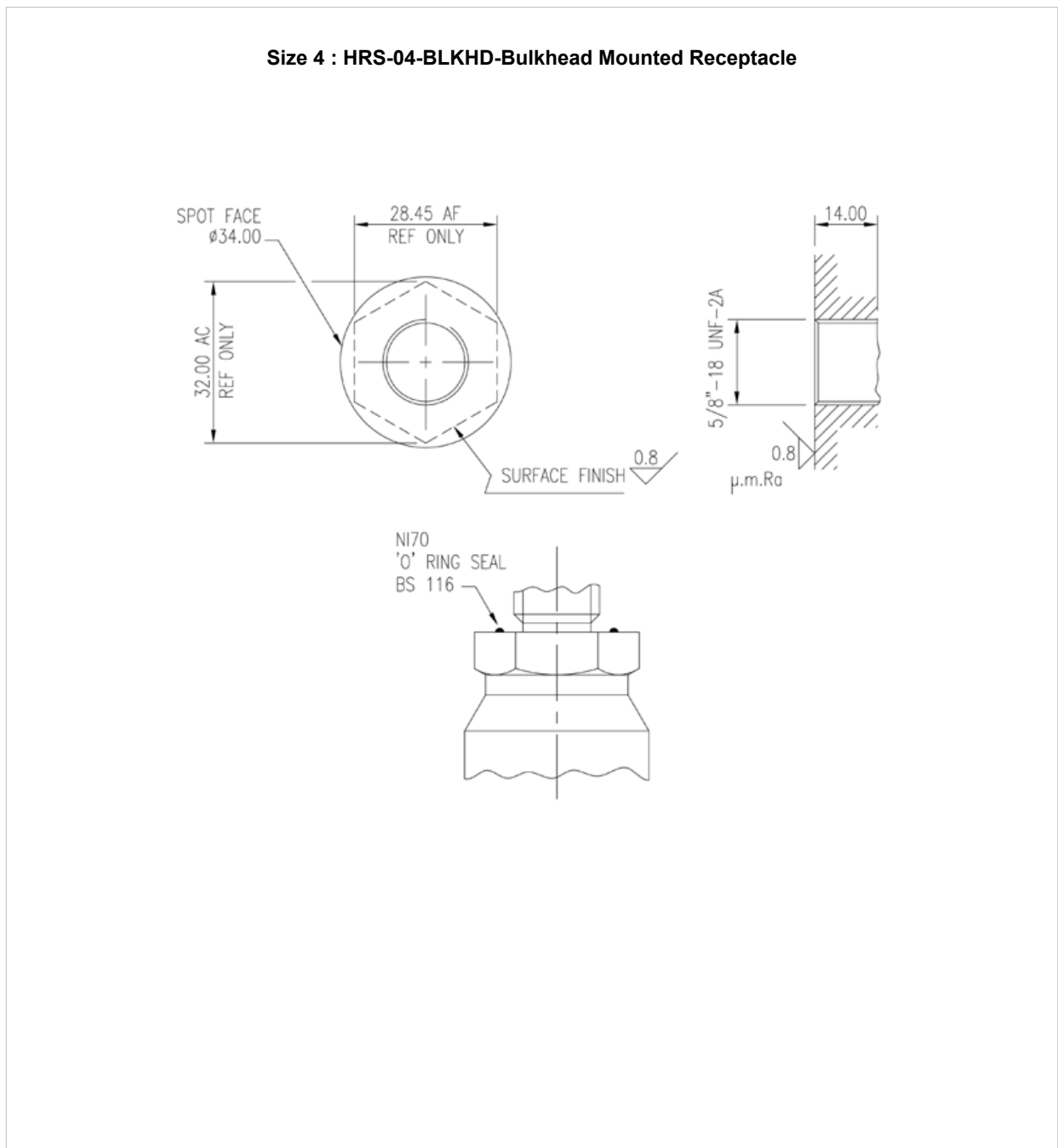


HRS Connector Mounting Details

Underwater Mateable Electrical Connectors

Rubber Keyed

HRS (Hydro Bond Rubber Sealing) : **Shell Size 4 / Mounting Details**





click to go back to INDEX page

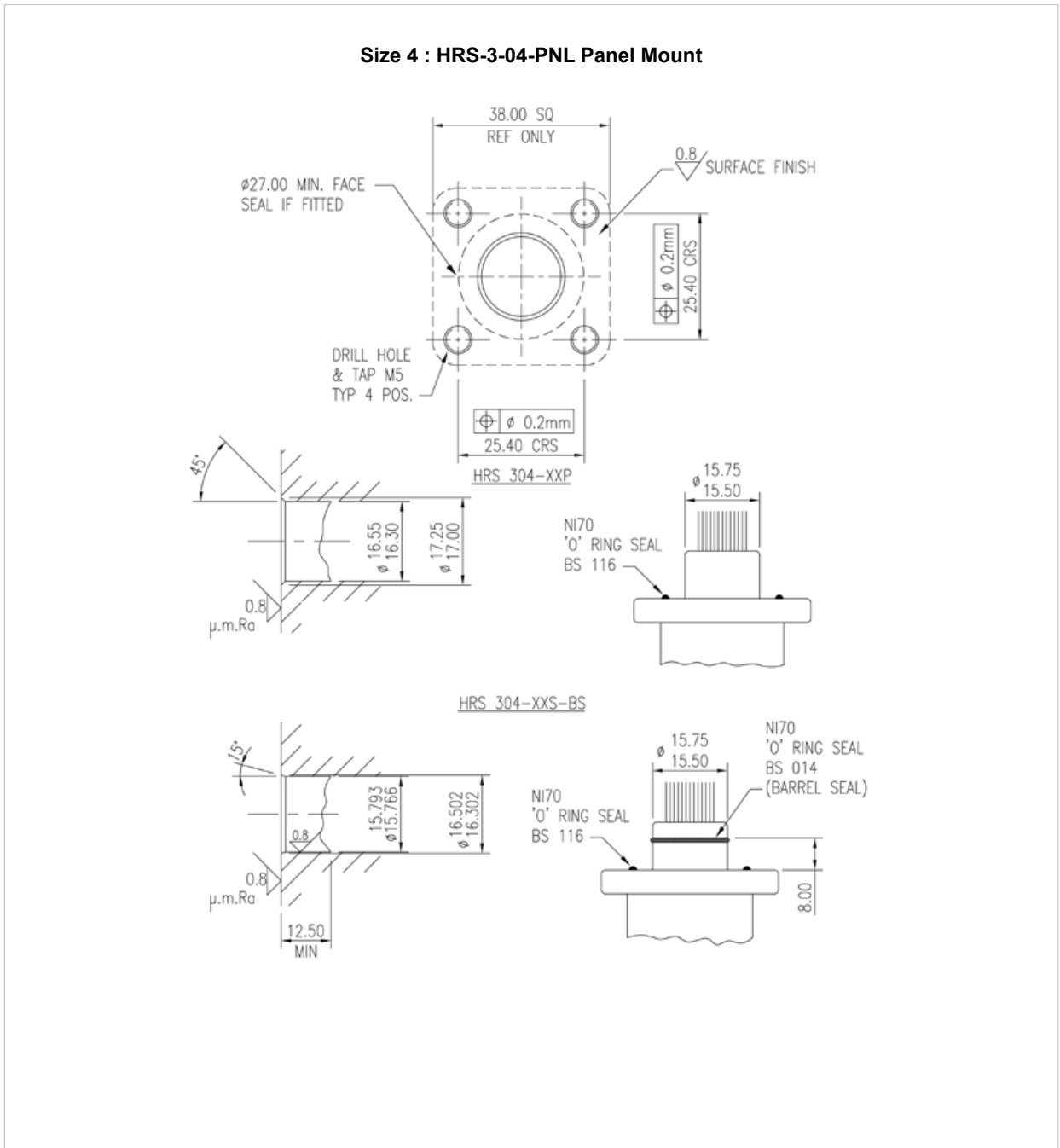


HRS Connector Mounting Details

Underwater Mateable Electrical Connectors

Rubber Keyed

HRS (Hydro Bond Rubber Sealing) : **Shell Size 4 / Mounting Details**





click to go back to INDEX page

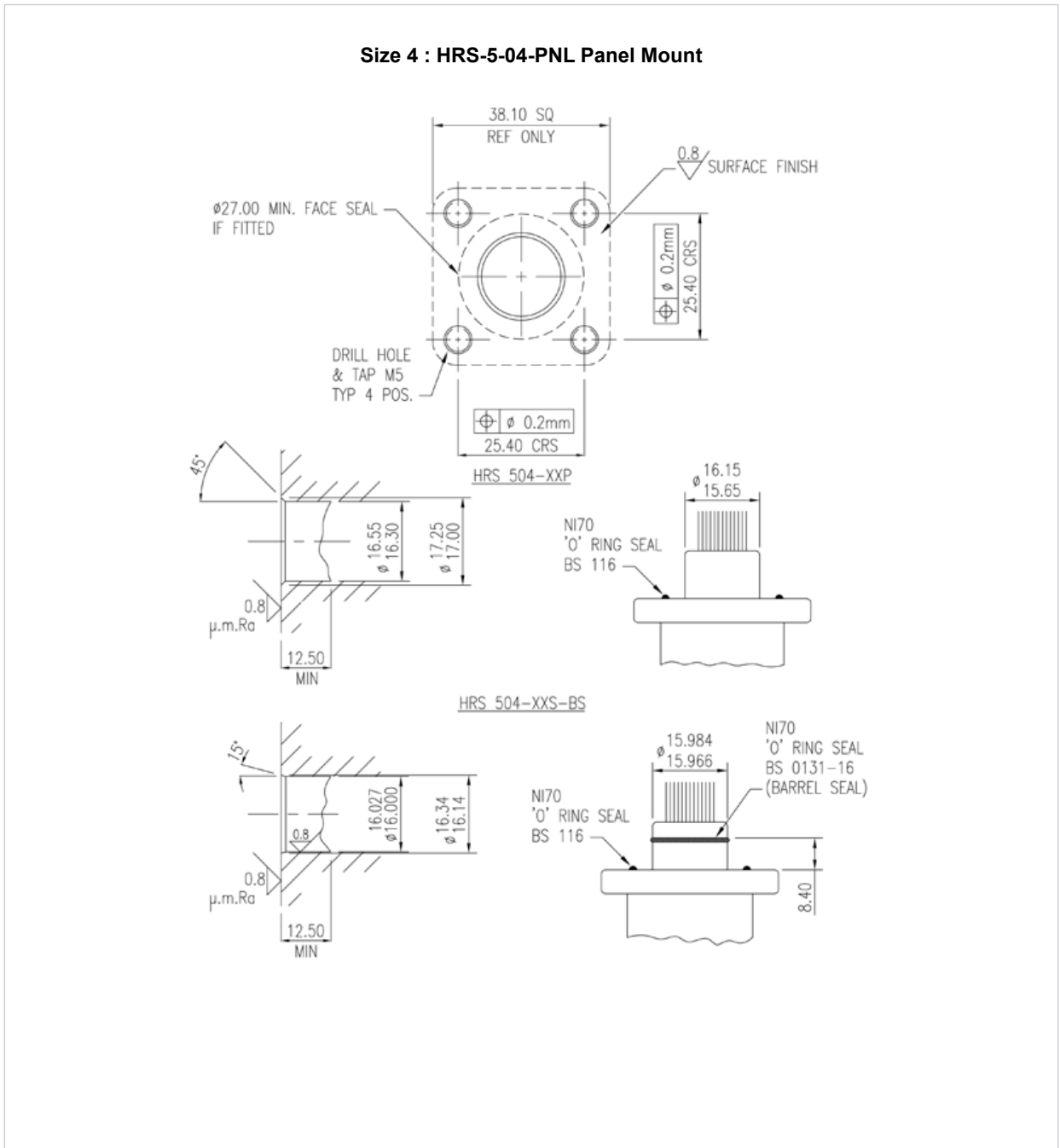


HRS Connector Mounting Details

Underwater Mateable Electrical Connectors

Rubber Keyed

HRS (Hydro Bond Rubber Sealing) : **Shell Size 4 / Mounting Details**





click to go back to INDEX page

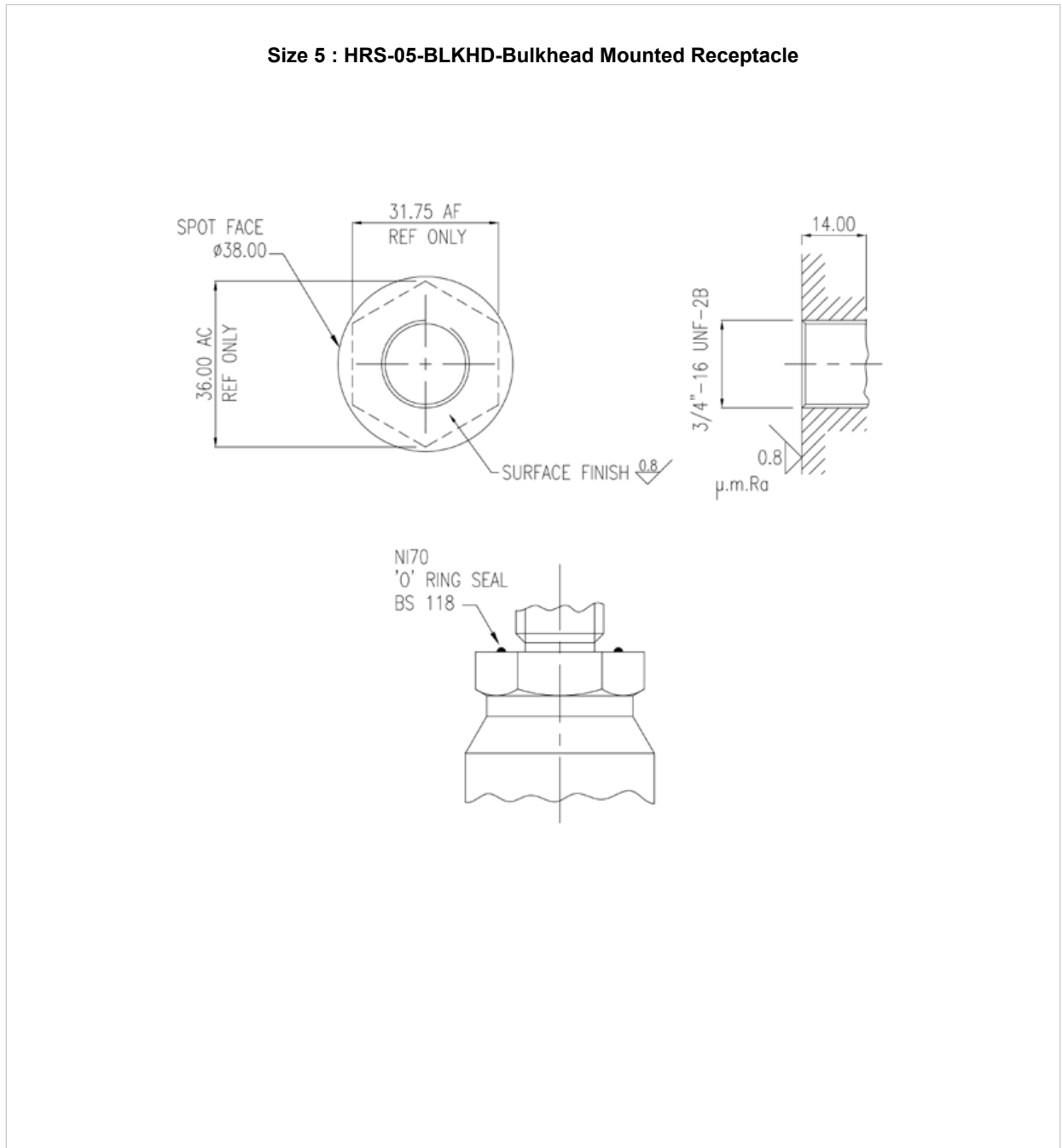


HRS Connector Mounting Details

Underwater Mateable Electrical Connectors

Rubber Keyed

HRS (Hydro Bond Rubber Sealing) : **Shell Size 5 / Mounting Details**





click to go back to INDEX page

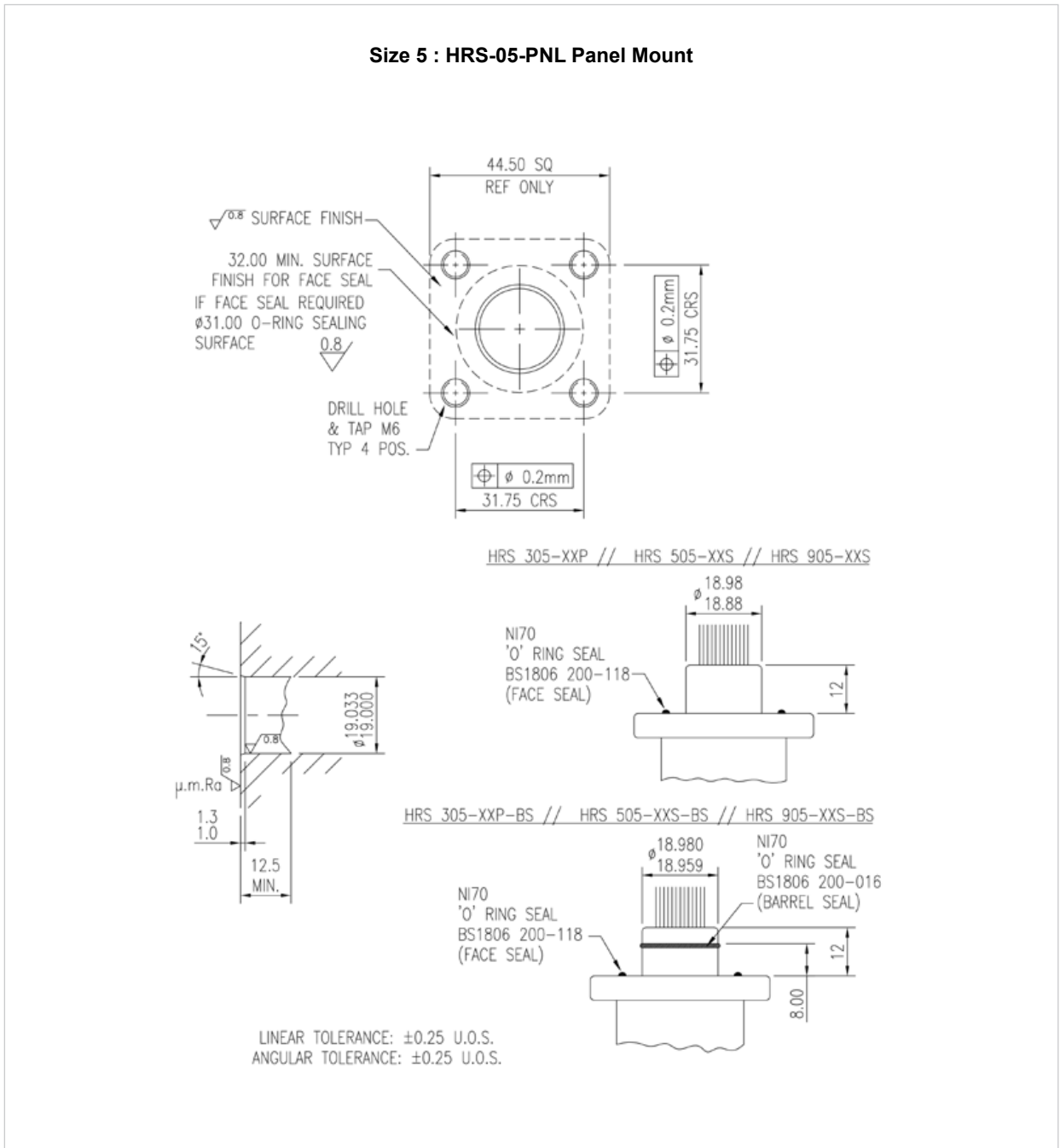


HRS Connector Mounting Details

Underwater Mateable Electrical Connectors

Rubber Keyed

HRS (Hydro Bond Rubber Sealing) : **Shell Size 5 / Mounting Details**





click to go back to INDEX page

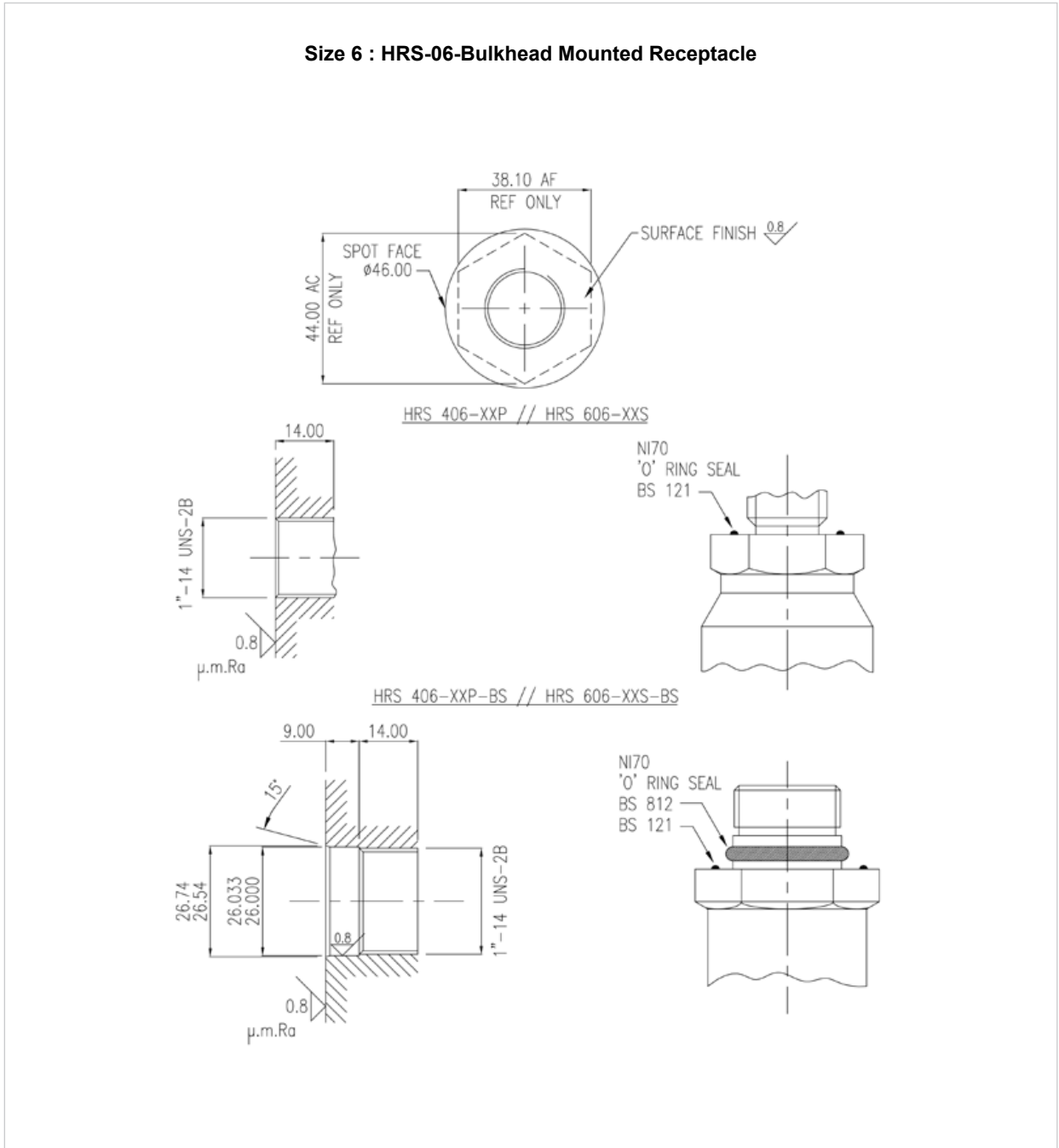


HRS Connector Mounting Details

Underwater Mateable Electrical Connectors

Rubber Keyed

HRS (Hydro Bond Rubber Sealing) : **Shell Size 6 / Mounting Details**





click to go back to INDEX page

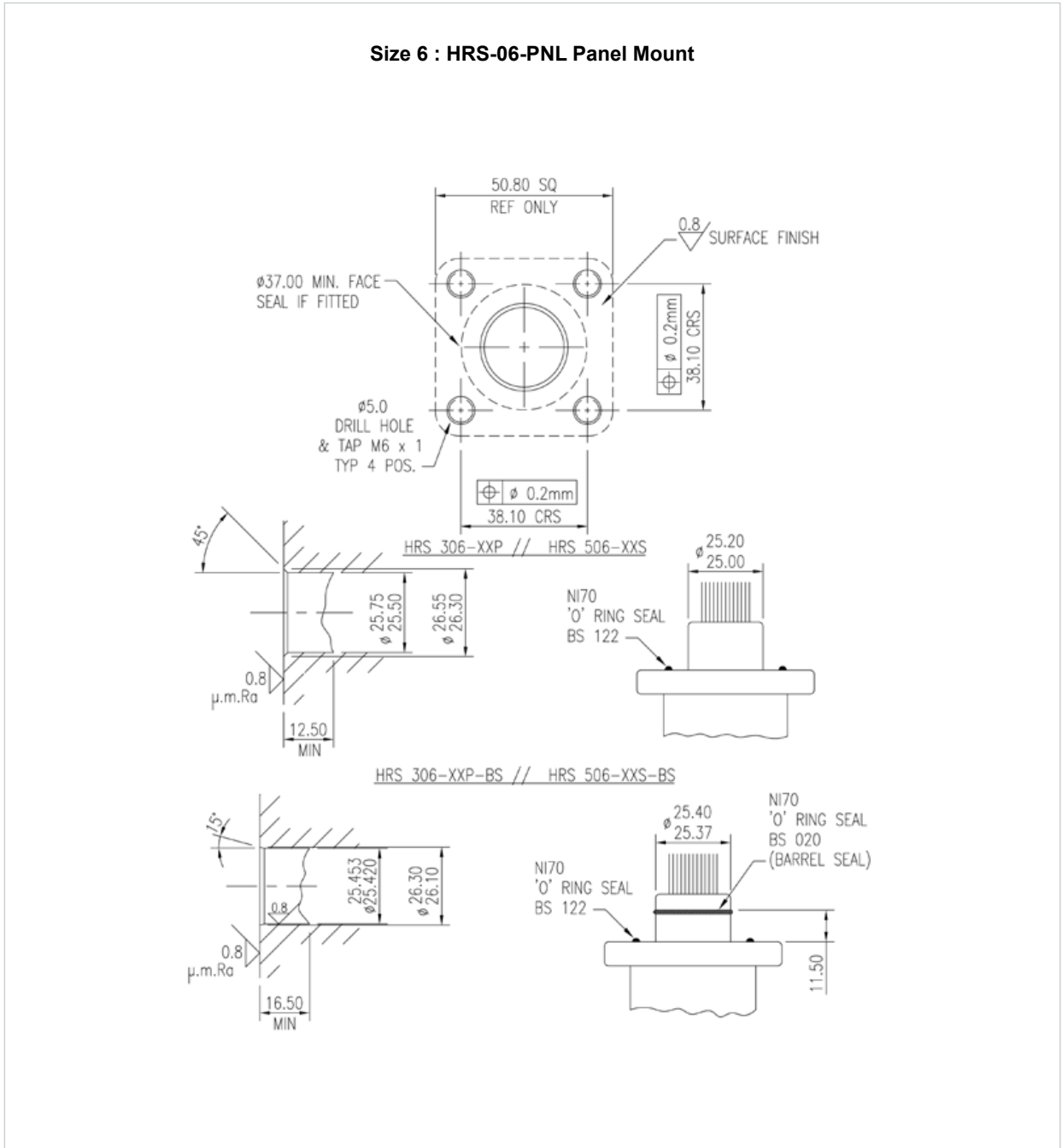


HRS Connector Mounting Details

Underwater Mateable Electrical Connectors

Rubber Keyed

HRS (Hydro Bond Rubber Sealing) : **Shell Size 6 / Mounting Details**





click to go back to INDEX page

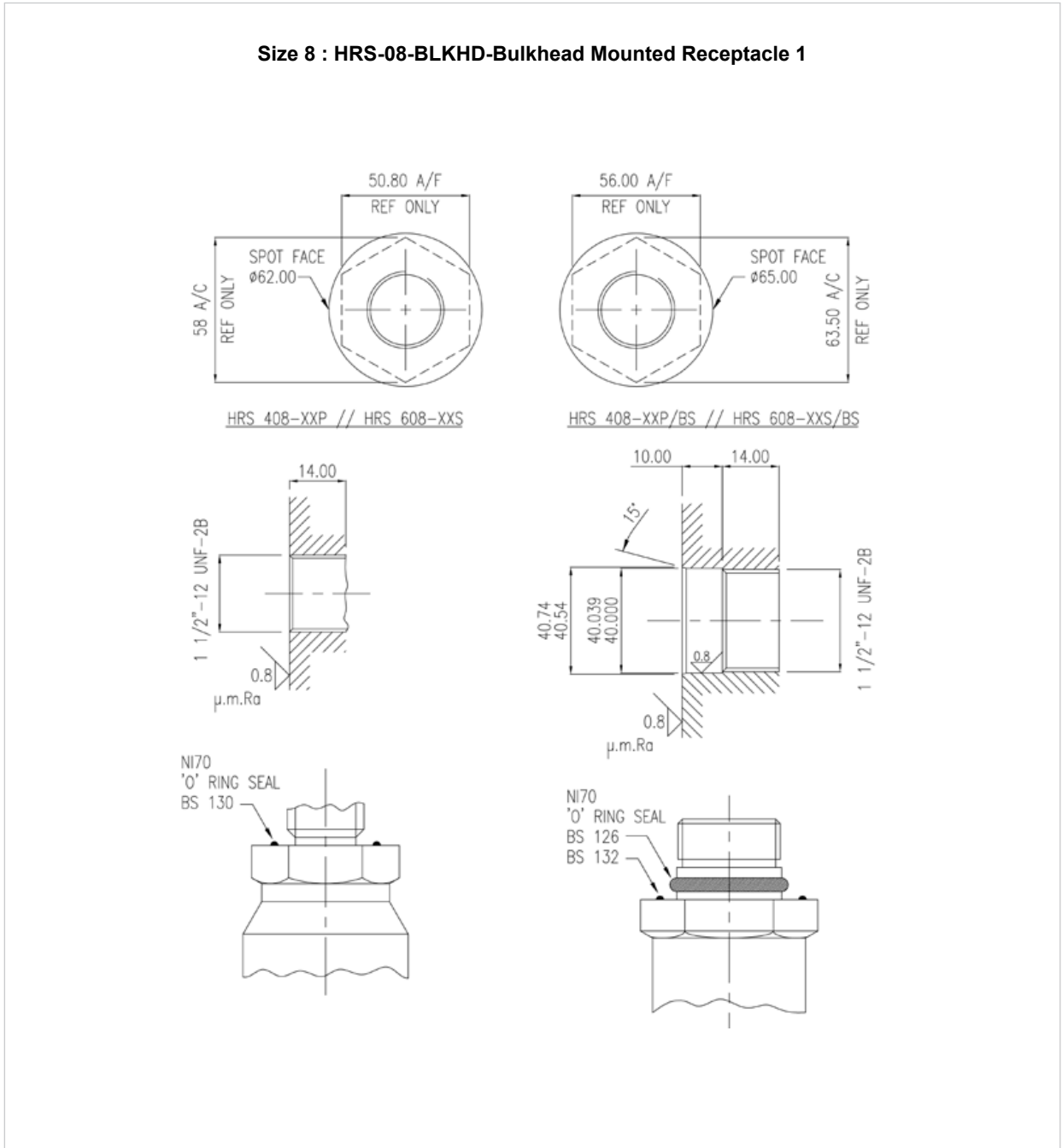


HRS Connector Mounting Details

Underwater Mateable Electrical Connectors

Rubber Keyed

HRS (Hydro Bond Rubber Sealing) : **Shell Size 8 / Mounting Details**





click to go back to INDEX page

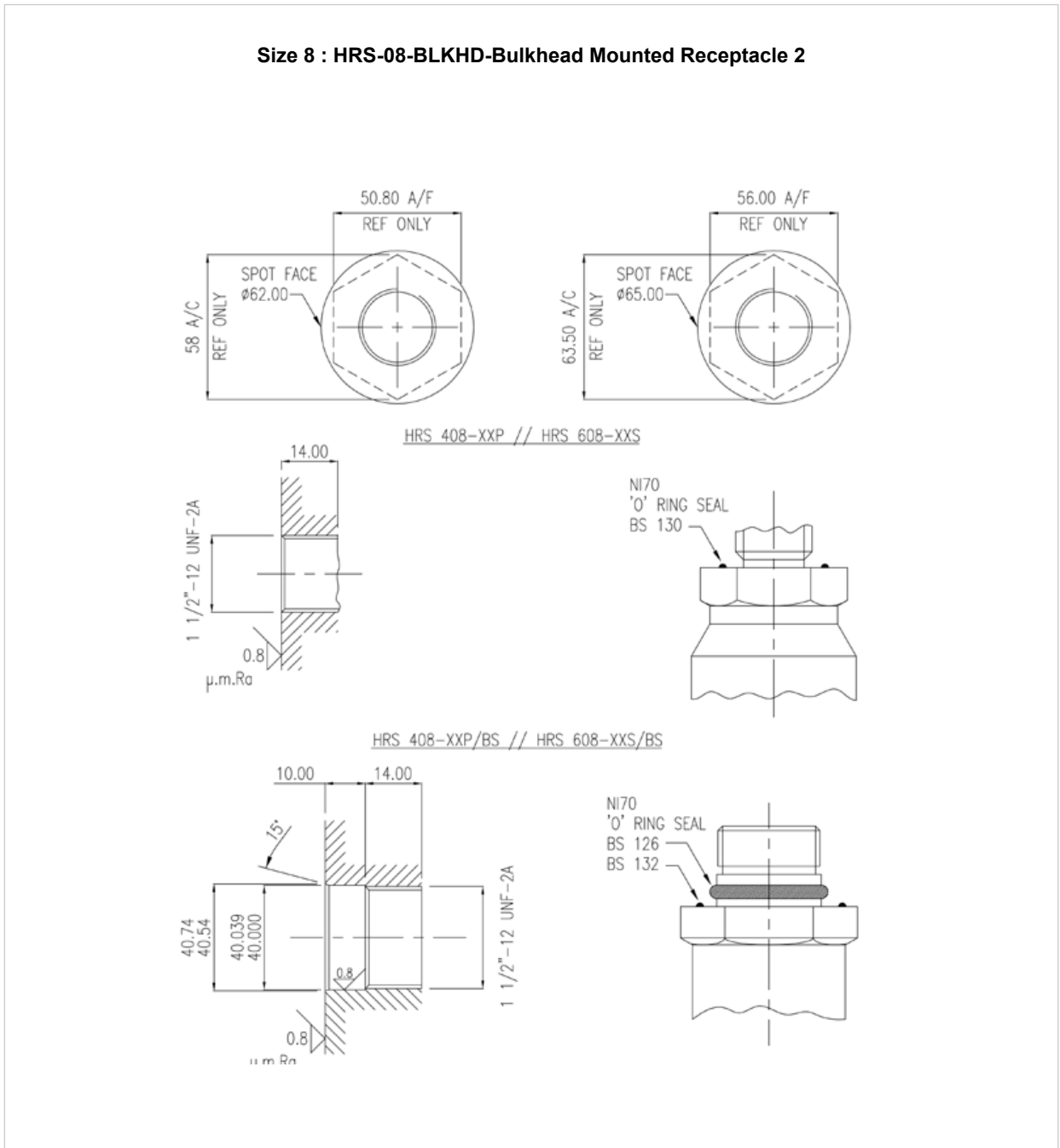


HRS Connector Mounting Details

Underwater Mateable Electrical Connectors

Rubber Keyed

HRS (Hydro Bond Rubber Sealing) : **Shell Size 8 / Mounting Details**





click to go back to INDEX page

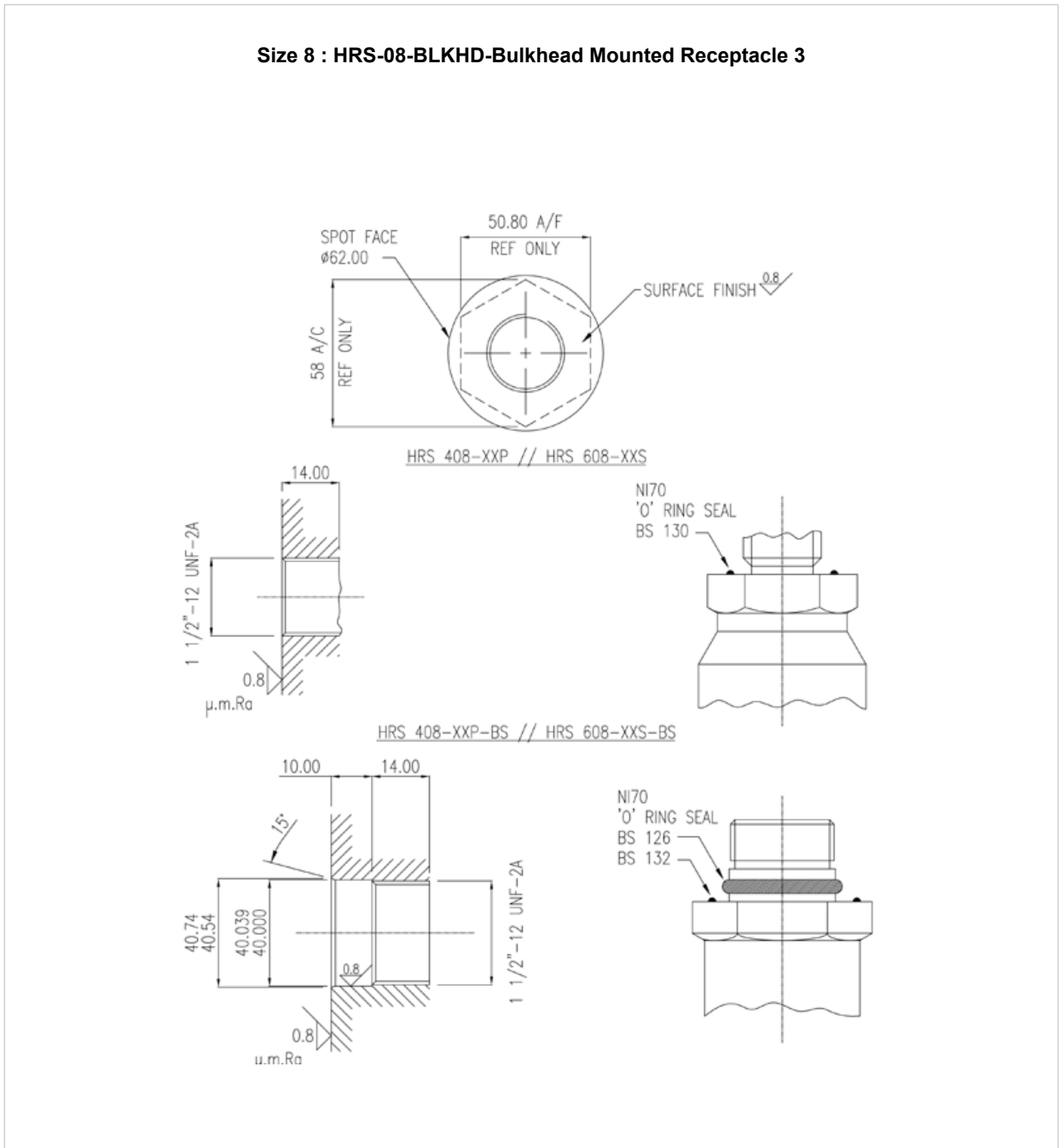


HRS Connector Mounting Details

Underwater Mateable Electrical Connectors

Rubber Keyed

HRS (Hydro Bond Rubber Sealing) : **Shell Size 8 / Mounting Details**





click to go back to INDEX page

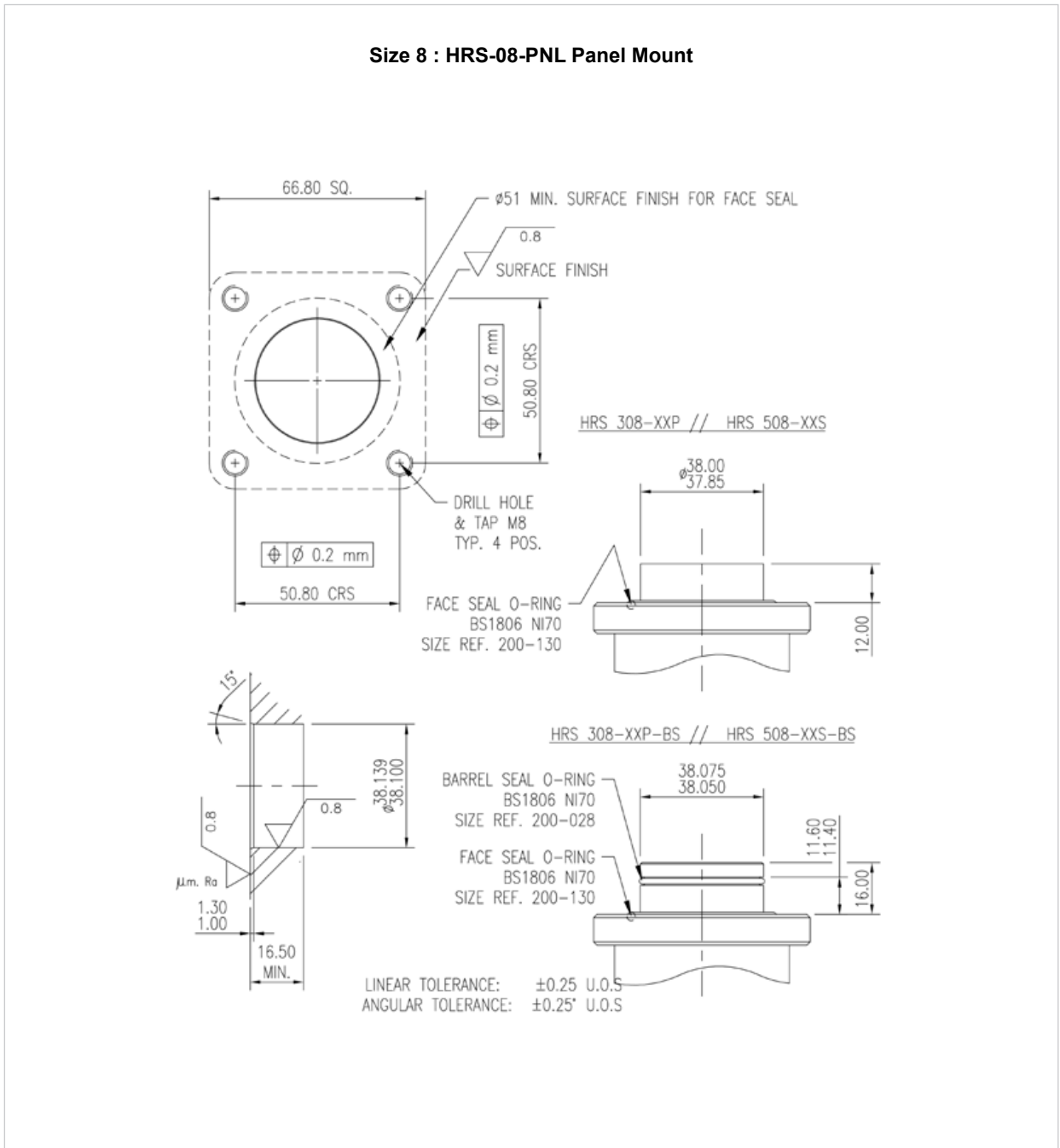


HRS Connector Mounting Details

Underwater Mateable Electrical Connectors

Rubber Keyed

HRS (Hydro Bond Rubber Sealing) : **Shell Size 8 / Mounting Details**





click to go back to INDEX page

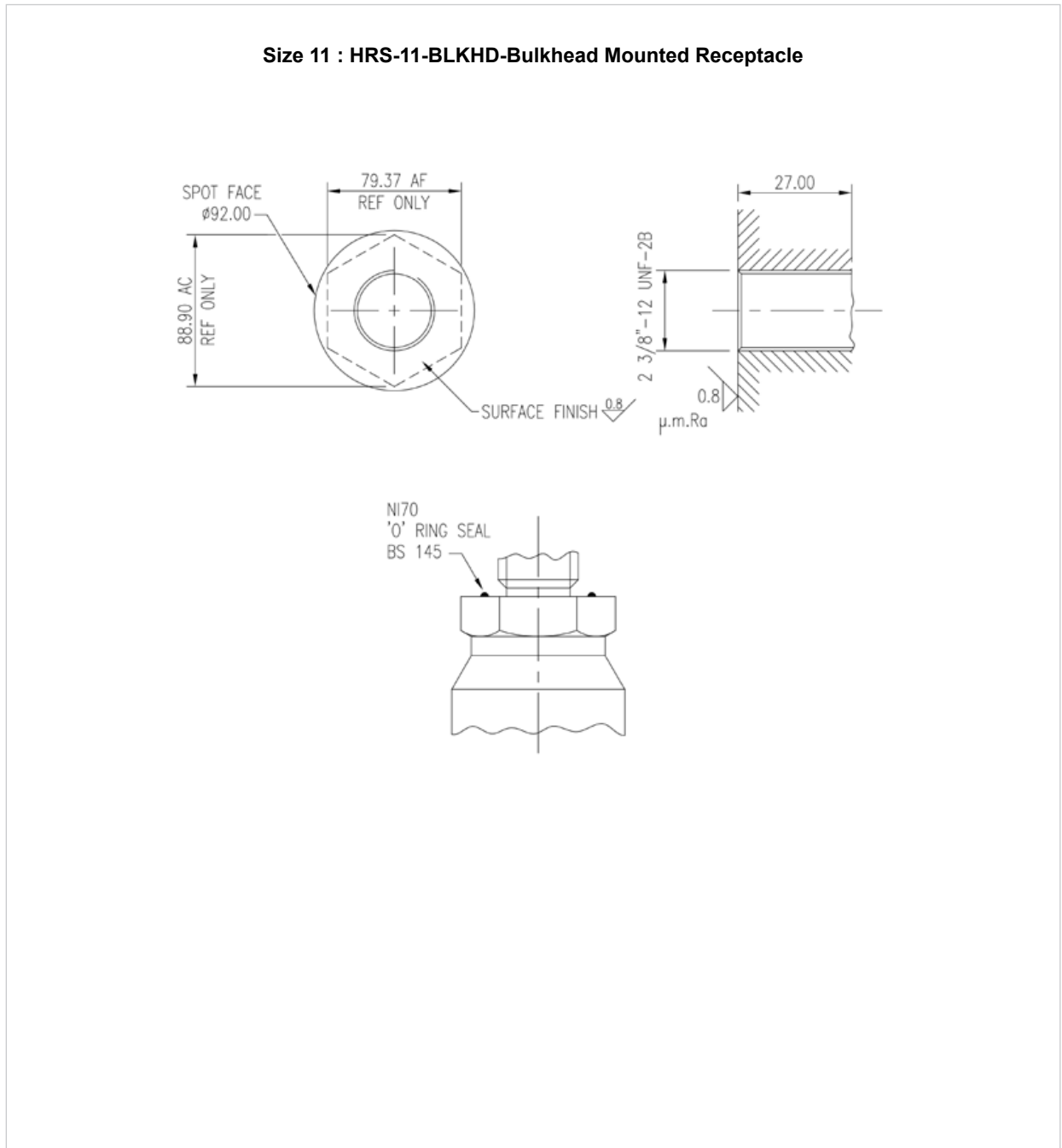


HRS Connector Mounting Details

Underwater Mateable Electrical Connectors

Rubber Keyed

HRS (Hydro Bond Rubber Sealing) : **Shell Size 11 / Mounting Details**





click to go back to INDEX page



HRS Connector Mounting Details

Underwater Mateable Electrical Connectors

Rubber Keyed

HRS (Hydro Bond Rubber Sealing) : Shell Size 11 / Mounting Details

