

HDM Connector Mounting Details

Surface Mateable Electrical Connectors

High Density Metal Keyed HDM (Hydro Bond Deck Mate) : Available Shell Sizes

[click on the shell size below to view page](#)

Shell Size 2 : HDM-02-BLKHD Bulkhead Mounted Receptacle	01
Shell Size 2 : HDM-02-FOP BLK Fibre Optic Bulkhead	02
Shell Size 2 : HDM-02-PNL Panel Mount	03
Shell Size 3 : HDM-03-BLKHD Bulkhead Mounted Receptacle	04
Shell Size 3 : HDM-03-FOPPNL Fibre Optic Panel Mount	05
Shell Size 3 : HDM-03-PNL Panel Mount	06
Shell Size 4 : HDM-04-BLKHD-ZI-LIFT Bulkhead Mounted Receptacle	07
Shell Size 4 : HDM-04-BLKHD Bulkhead Mounted Receptacle	08
Shell Size 4 : HDM-04-FOP-BLKHD-ET Fibre Optic Bulkhead Mounted Receptacle Extended Thread	09
Shell Size 4 : HDM-04-FOPPNL Fibre Optic Panel Mount	10
Shell Size 4 : HDM-04-PNL-EB Panel Mount Extended Barrel	11
Shell Size 4 : HDM-04-PNL Panel Mount	12
Shell Size 5 : HDM-05-BLKHD Bulkhead Mounted Receptacle	13
Shell Size 5 : HDM-05-FOP-BLKHD Fibre Optic Bulkhead Mounted Receptacle	14
Shell Size 5 : HDM-05-FOP-PNL Fibre Optic Panel Mount (Cerberus)	15
Shell Size 5 : HDM-05-FOP PNL Fibre Optic Panel Mount	16
Shell Size 5 : HDM-05-FOPA-PNL Fibre Optic Panel Mount	17
Shell Size 5 : HDM-05-PNL Panel Mount	18
Shell Size 6 : HDM-06-BLKHD Bulkhead Mounted Receptacle / 1	19
Shell Size 6 : HDM-06-BLKHD Bulkhead Mounted Receptacle / 2	20
Shell Size 6 : HDM-06-FOP-BLKHD Fibre Optic Bulkhead Mounted Receptacle	21
Shell Size 6 : HDM-06-FOP-PNL Fibre Optic Panel Mount	22
Shell Size 6 : HDM-06-FOPA-PNL Fibre Optic Panel Mount (Cerberus)	23
Shell Size 6 : HDM-06-PNL Panel Mount	24
Shell Size 8 : HDM-08-BLKHD-ET Bulkhead Mounted Receptacle Extended Thread	25
Shell Size 8 : HDM-08-BLKHD Bulkhead Mounted Receptacle	26
Shell Size 11 : HDM-11-PNL Panel Mount	27



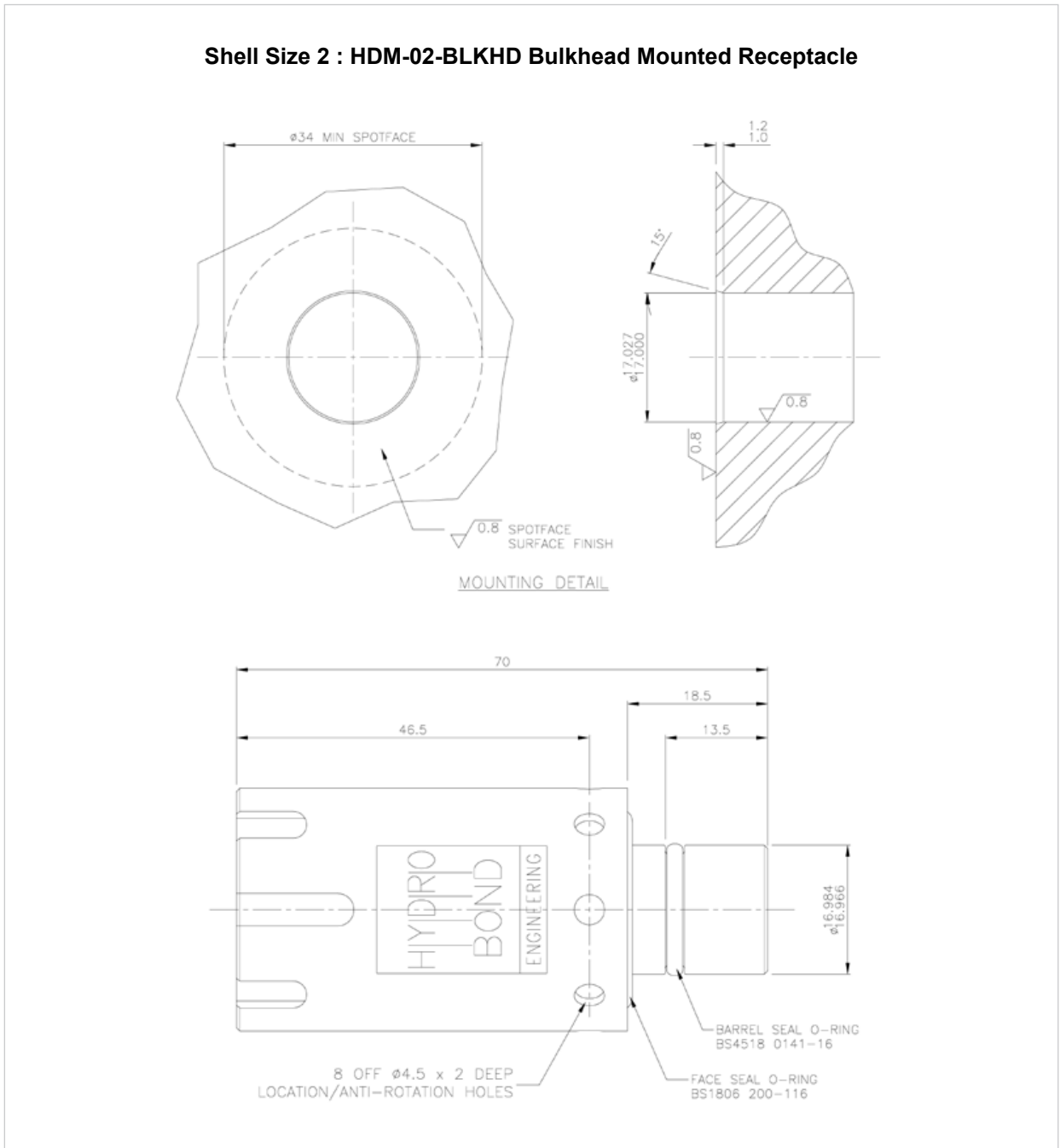
click to go back to INDEX page



Connector Mounting Details

Surface Mateable Electrical Connectors

High Density Metal Keyed HDM (Hydro Bond Deck Mate) : **Shell Size 2 / Mounting Details**





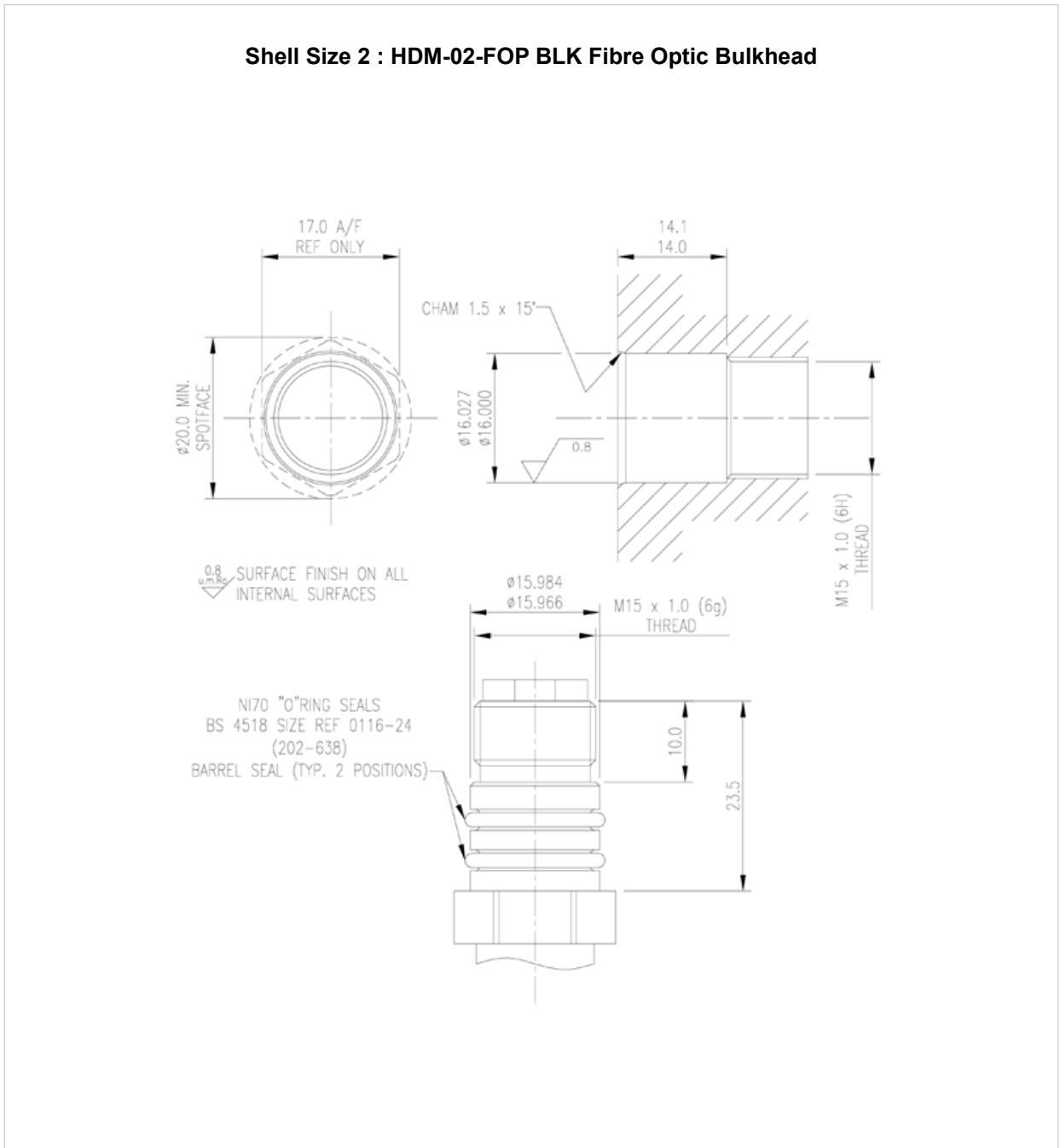
click to go back to INDEX page



Connector Mounting Details

Surface Mateable Electrical Connectors

High Density Metal Keyed HDM (Hydro Bond Deck Mate) : **Shell Size 2 / Mounting Details**





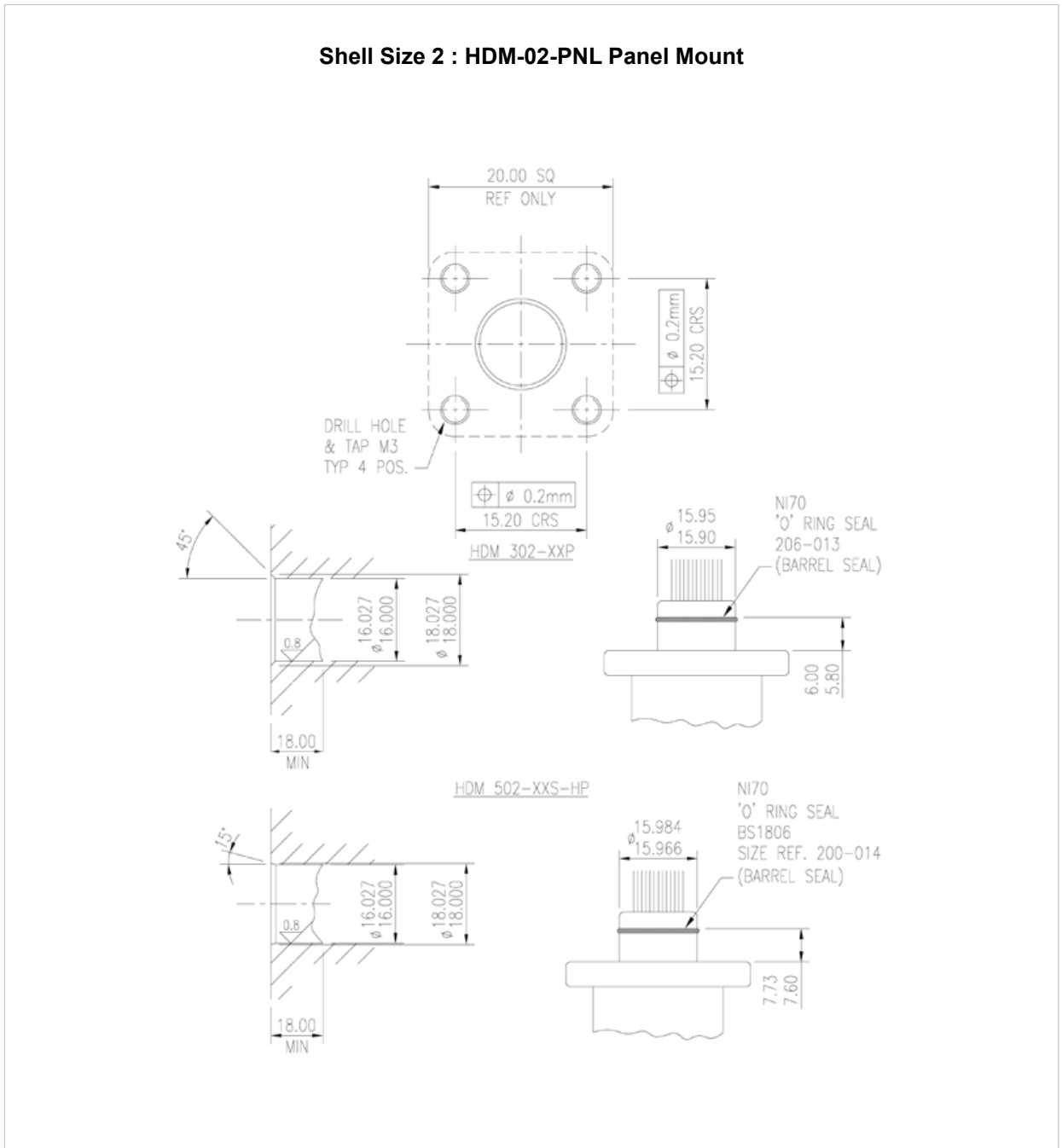
click to go back to INDEX page



Connector Mounting Details

Surface Mateable Electrical Connectors

High Density Metal Keyed HDM (Hydro Bond Deck Mate) : **Shell Size 2 / Mounting Details**





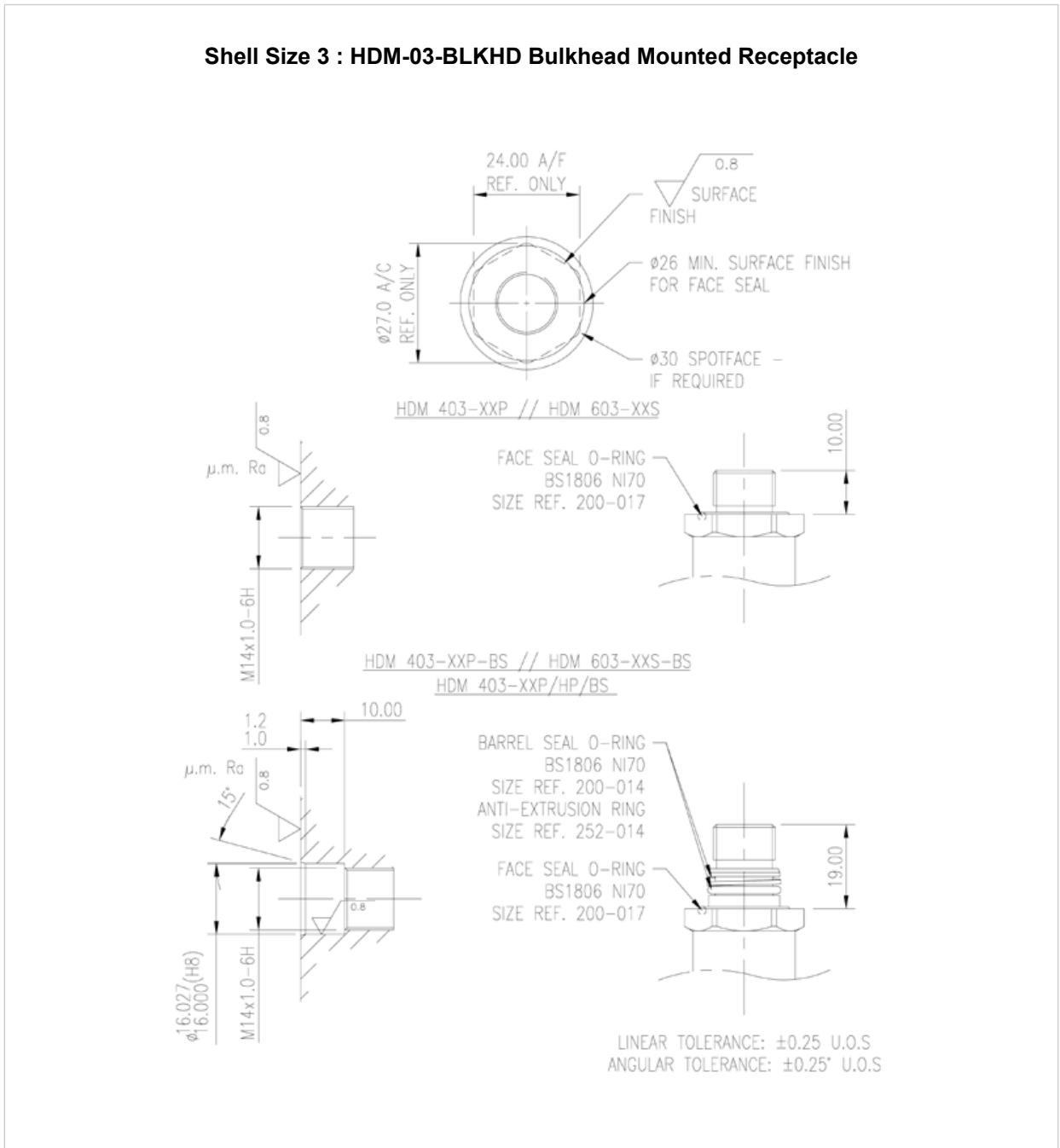
click to go back to INDEX page



Connector Mounting Details

Surface Mateable Electrical Connectors

High Density Metal Keyed HDM (Hydro Bond Deck Mate) : **Shell Size 3 / Mounting Details**





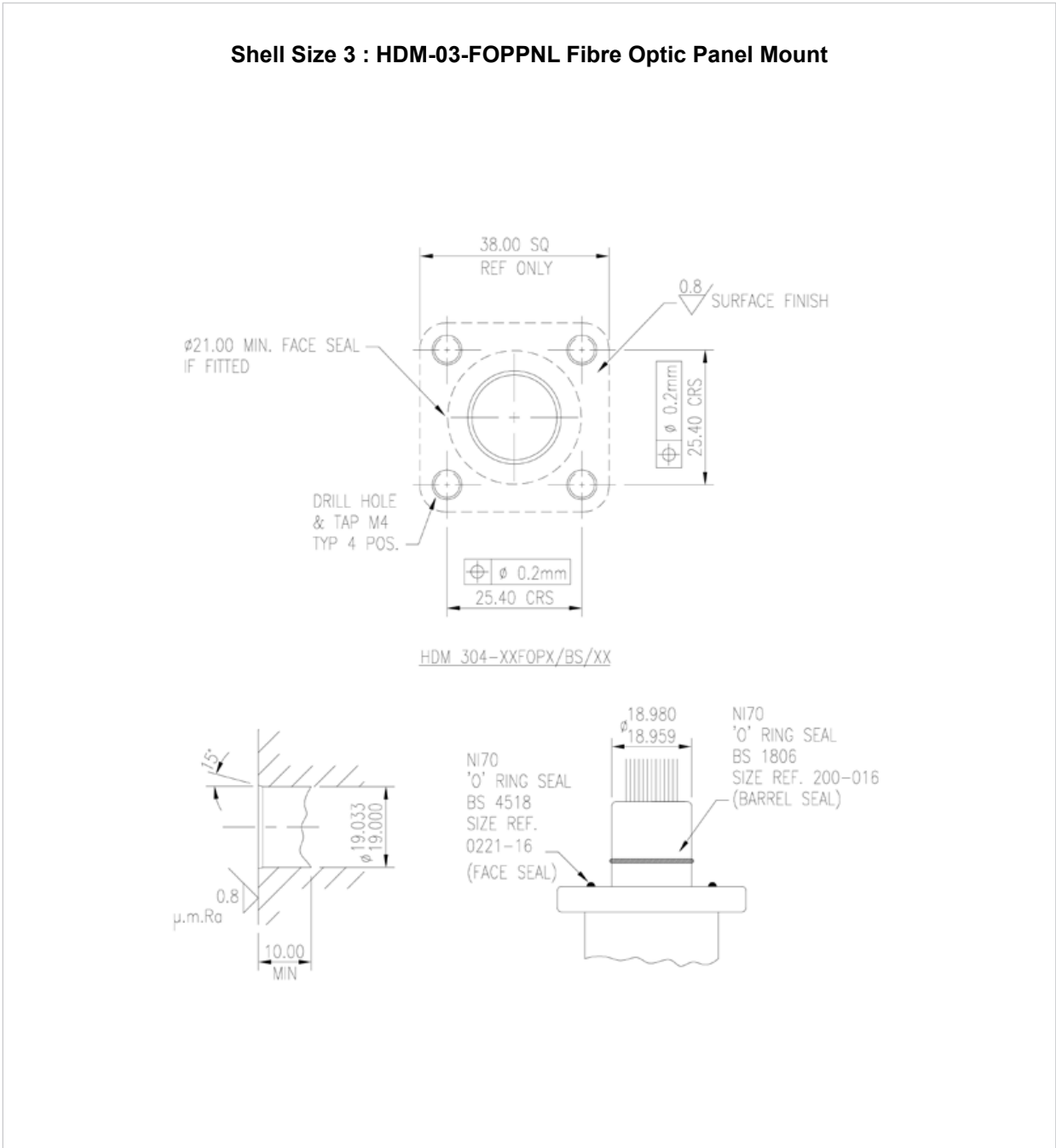
click to go back to INDEX page



Connector Mounting Details

Surface Mateable Electrical Connectors

High Density Metal Keyed HDM (Hydro Bond Deck Mate) : **Shell Size 3 / Mounting Details**





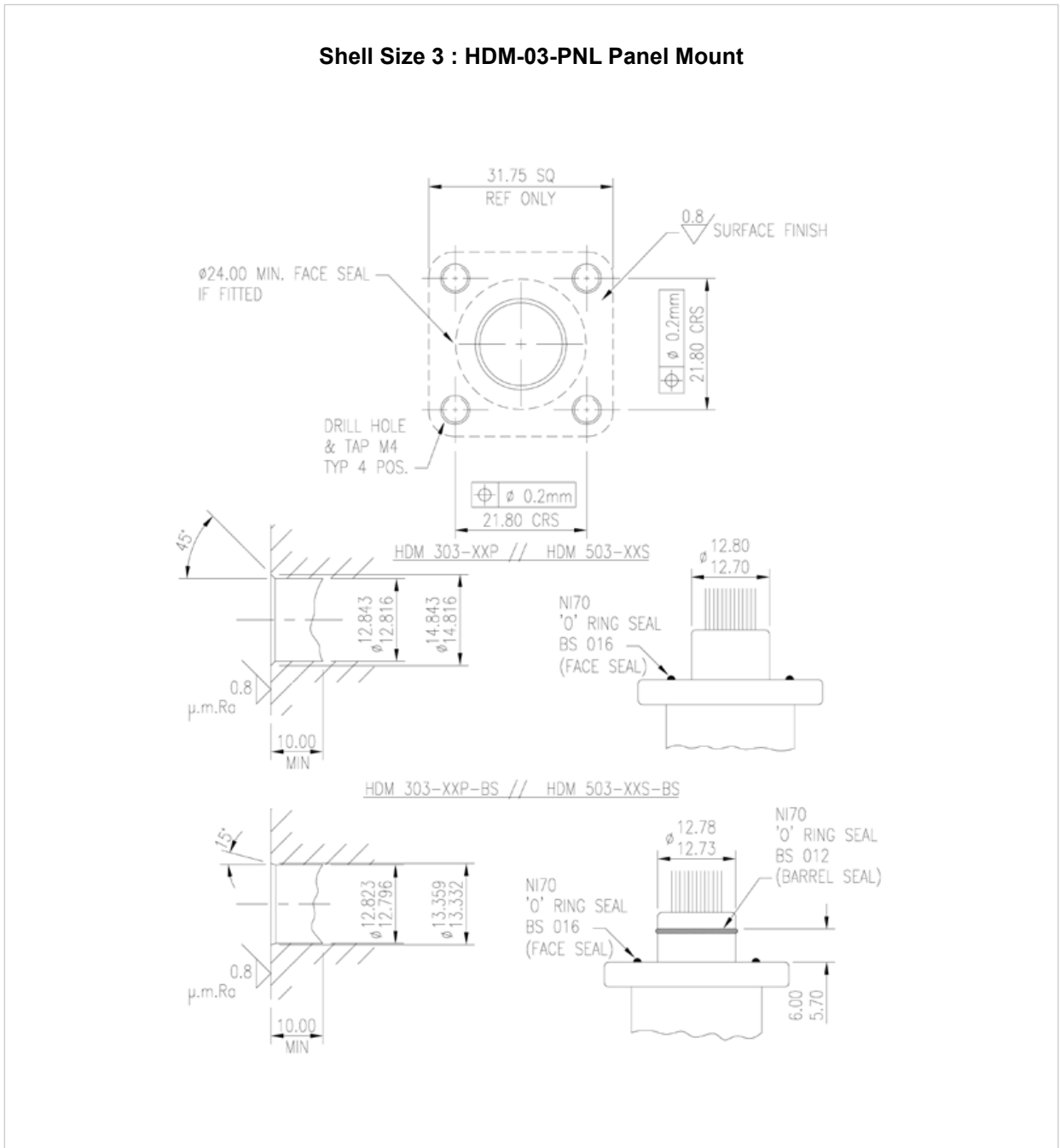
click to go back to INDEX page



Connector Mounting Details

Surface Mateable Electrical Connectors

High Density Metal Keyed HDM (Hydro Bond Deck Mate) : Shell Size 3 / Mounting Details





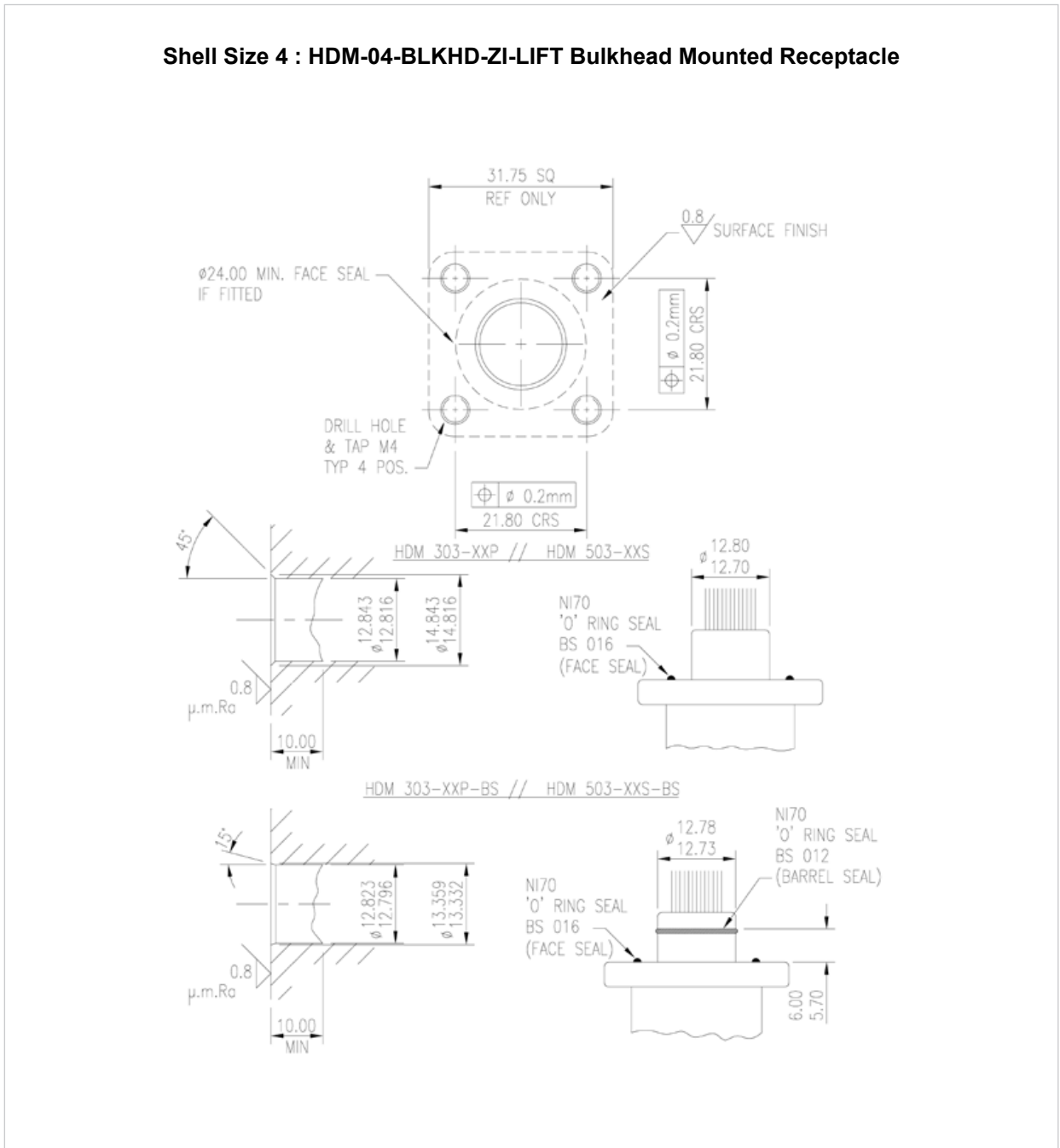
click to go back to INDEX page



Connector Mounting Details

Surface Mateable Electrical Connectors

High Density Metal Keyed HDM (Hydro Bond Deck Mate) : Shell Size 4 / Mounting Details





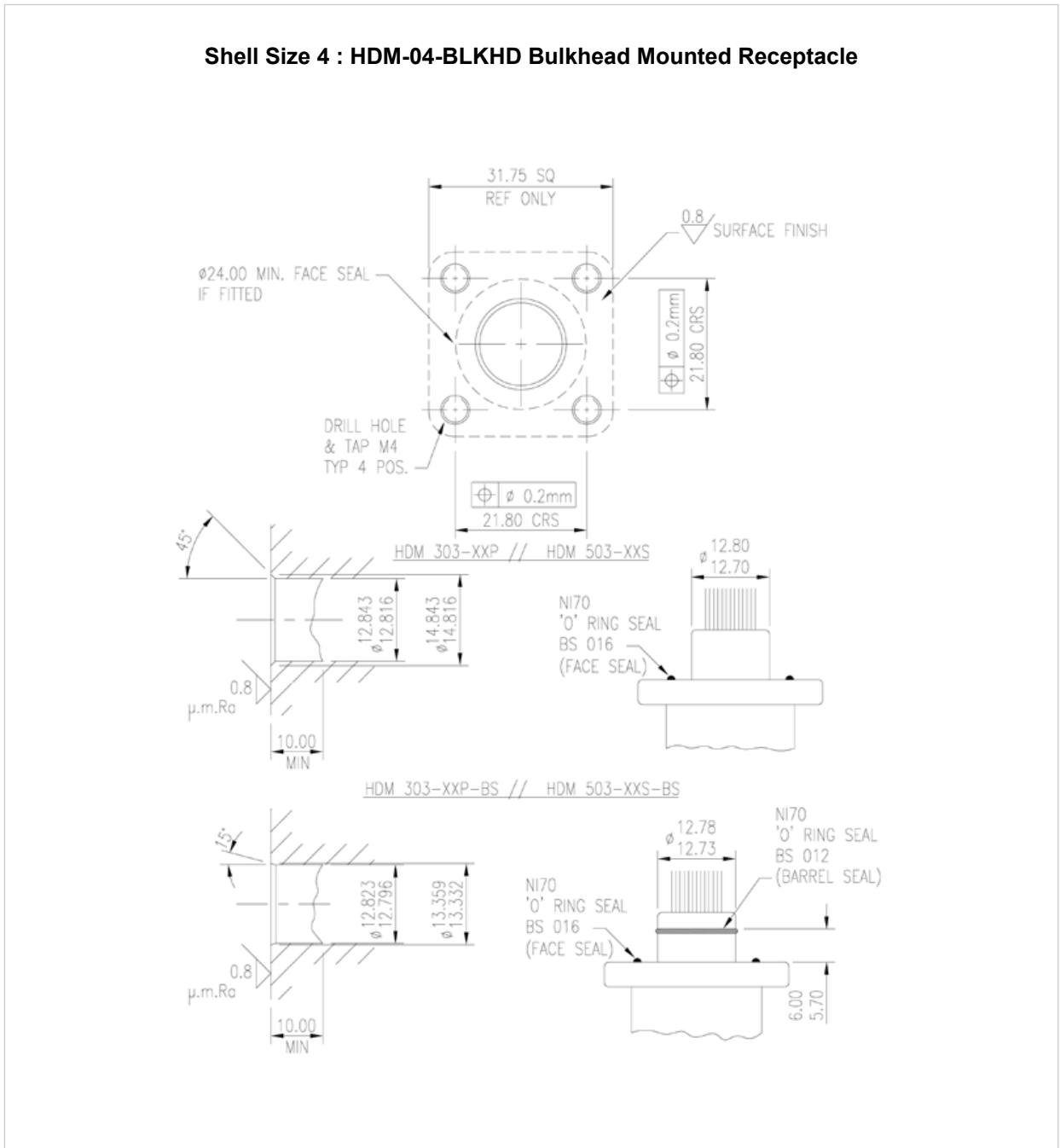
click to go back to INDEX page



Connector Mounting Details

Surface Mateable Electrical Connectors

High Density Metal Keyed HDM (Hydro Bond Deck Mate) : **Shell Size 4 / Mounting Details**





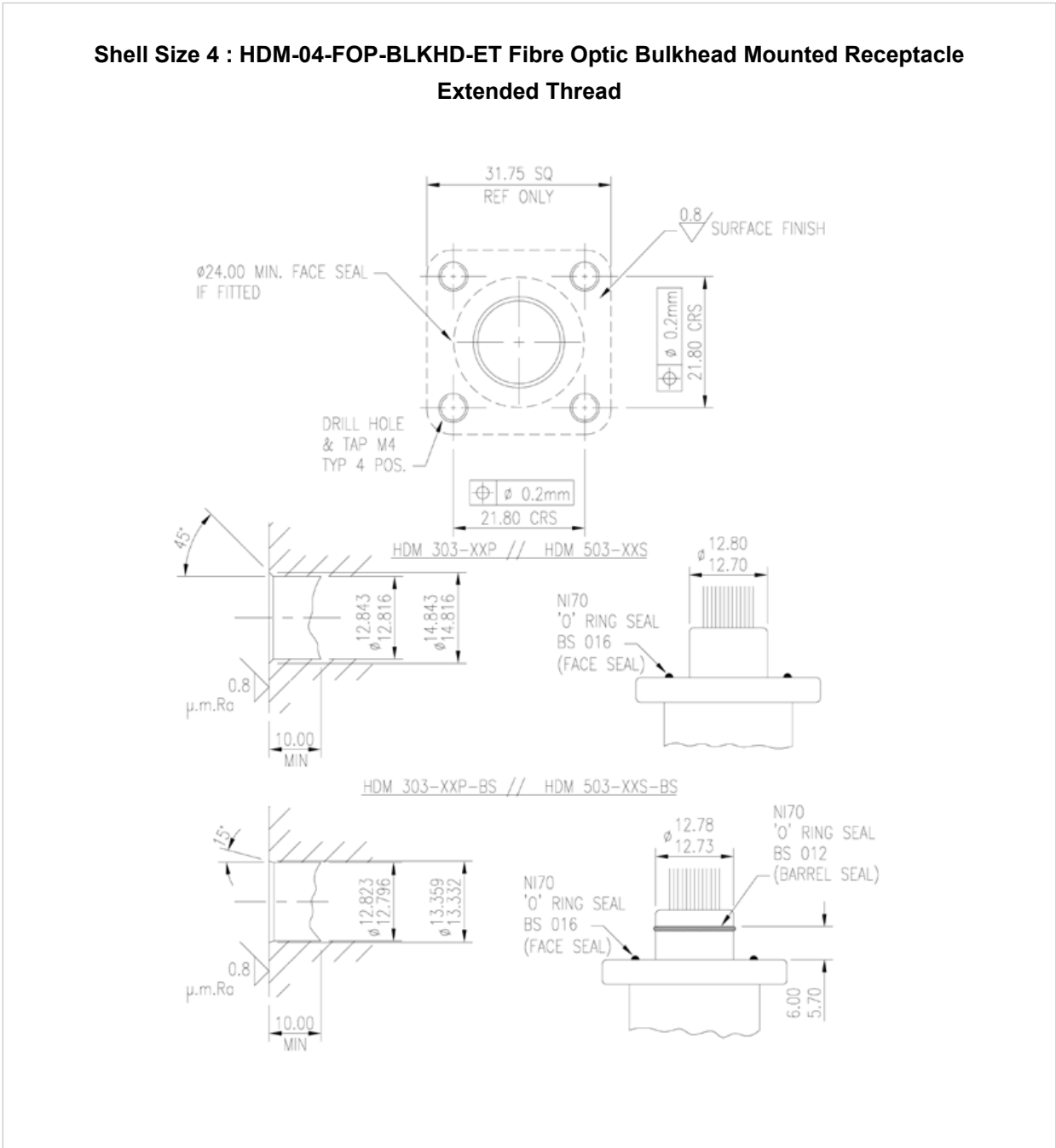
click to go back to INDEX page



Connector Mounting Details

Surface Mateable Electrical Connectors

High Density Metal Keyed HDM (Hydro Bond Deck Mate) : **Shell Size 4 / Mounting Details**





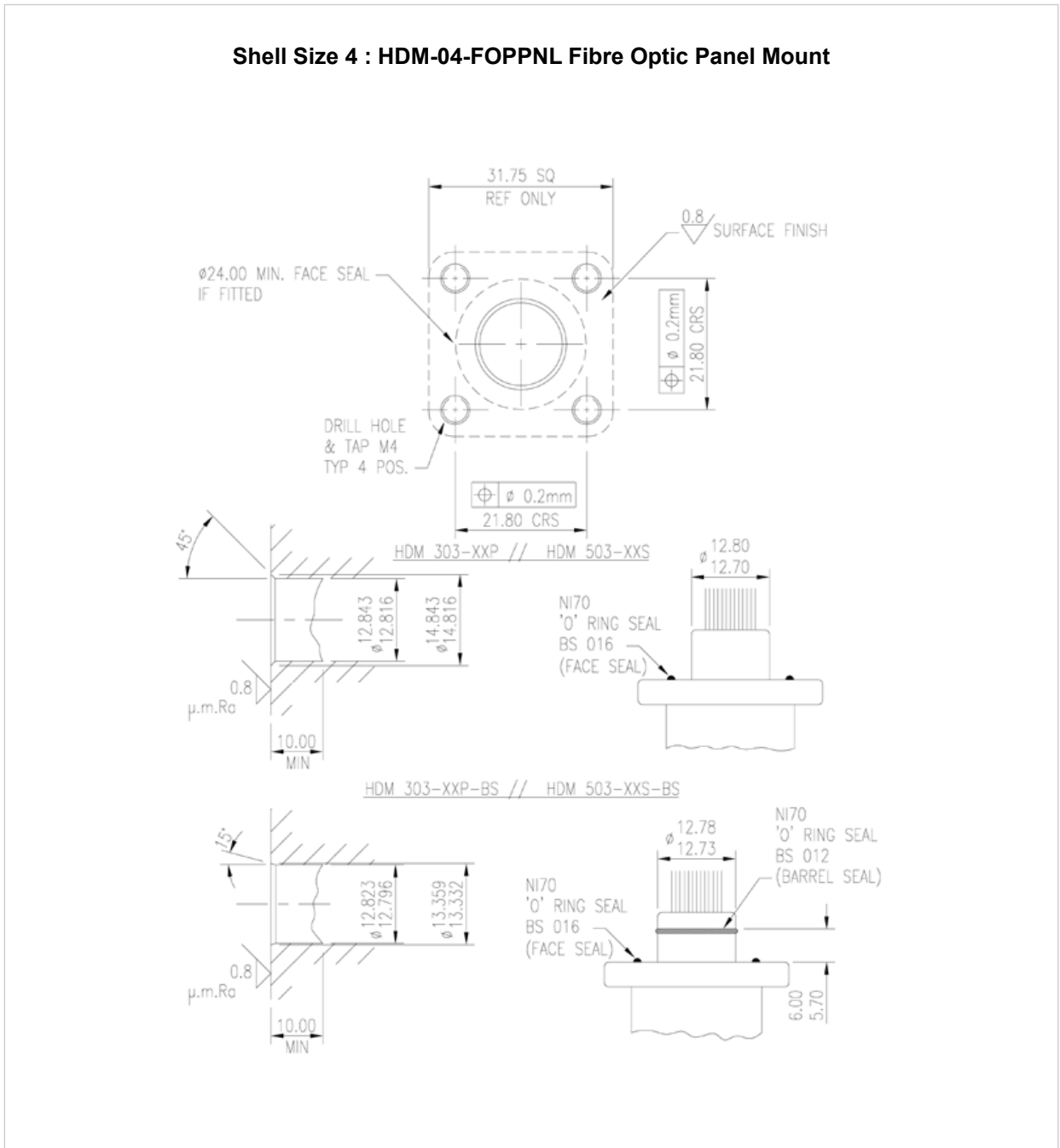
click to go back to INDEX page



Connector Mounting Details

Surface Mateable Electrical Connectors

High Density Metal Keyed HDM (Hydro Bond Deck Mate) : Shell Size 4 / Mounting Details





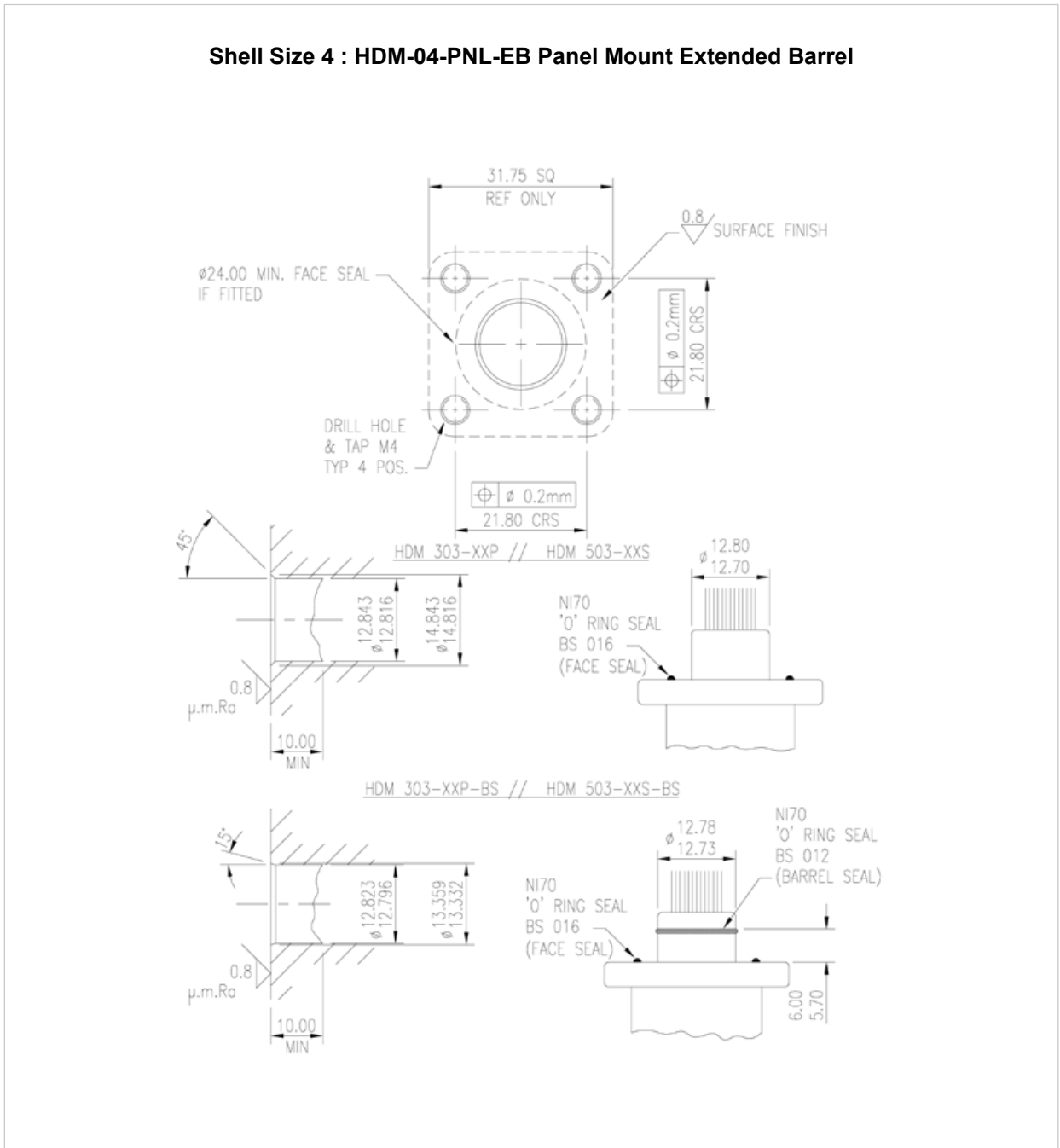
click to go back to INDEX page



Connector Mounting Details

Surface Mateable Electrical Connectors

High Density Metal Keyed HDM (Hydro Bond Deck Mate) : **Shell Size 4 / Mounting Details**





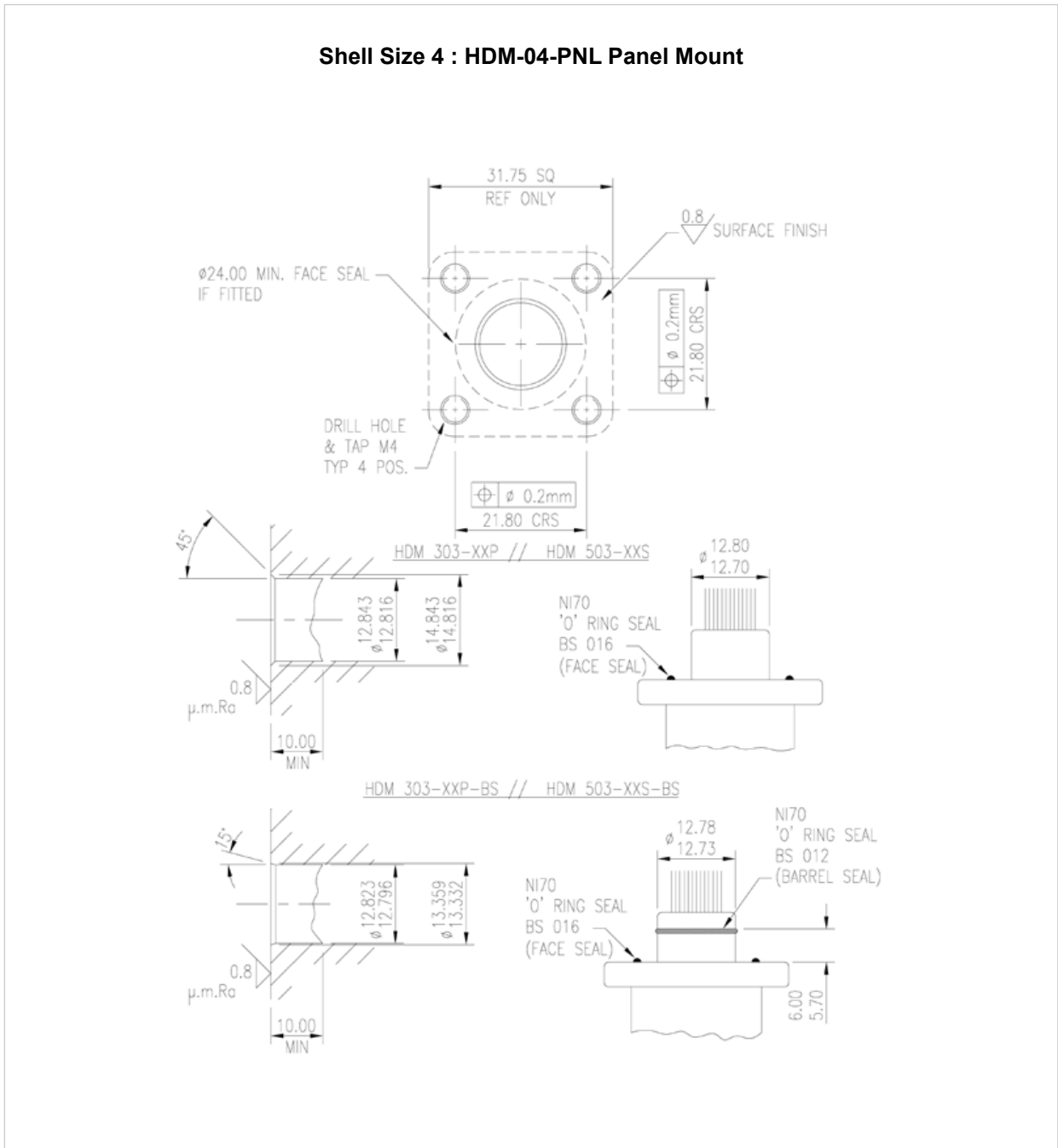
click to go back to INDEX page



Connector Mounting Details

Surface Mateable Electrical Connectors

High Density Metal Keyed HDM (Hydro Bond Deck Mate) : Shell Size 4 / Mounting Details





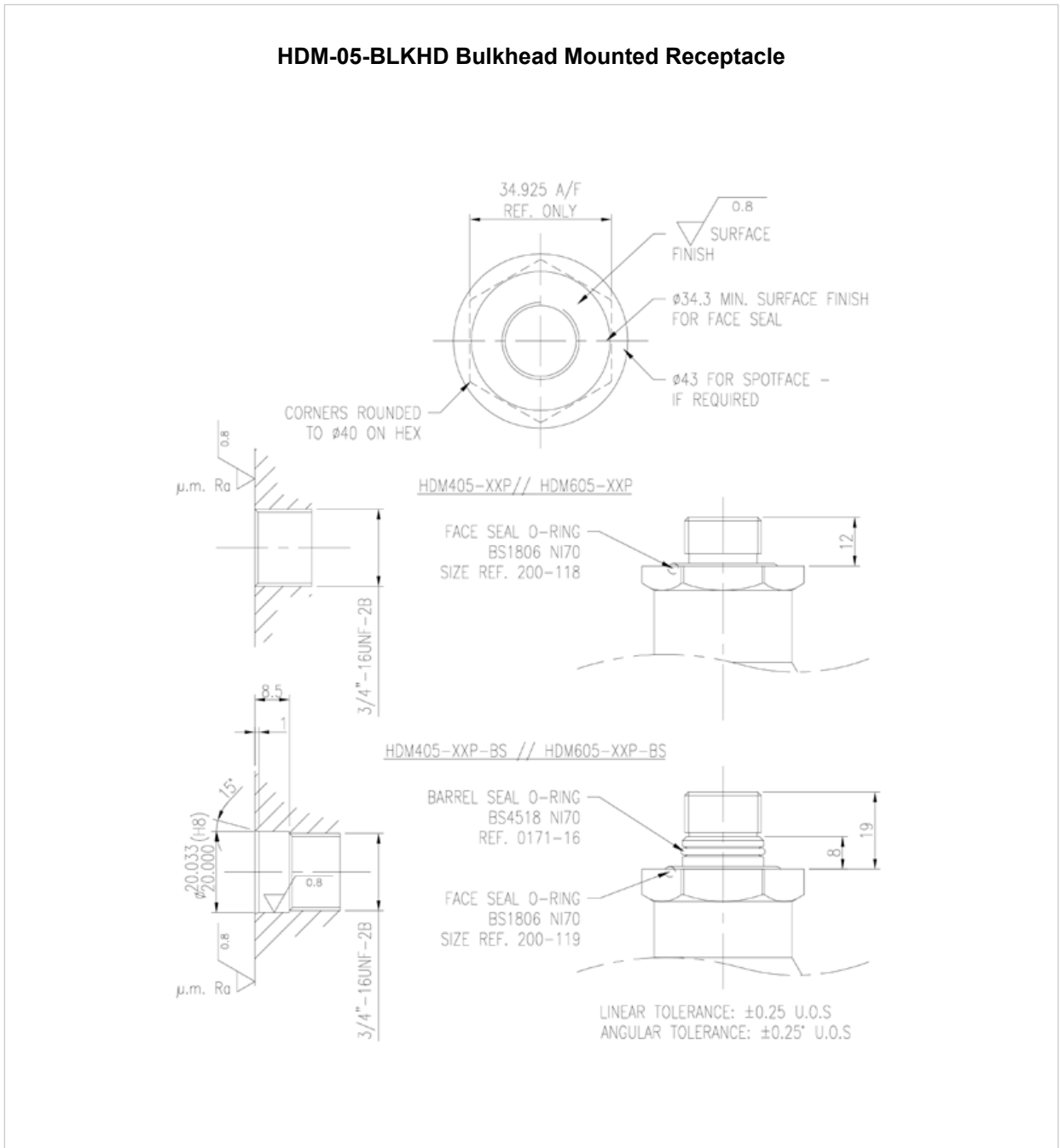
click to go back to INDEX page



Connector Mounting Details

Surface Mateable Electrical Connectors

High Density Metal Keyed HDM (Hydro Bond Deck Mate) : **Shell Size 5 / Mounting Details**





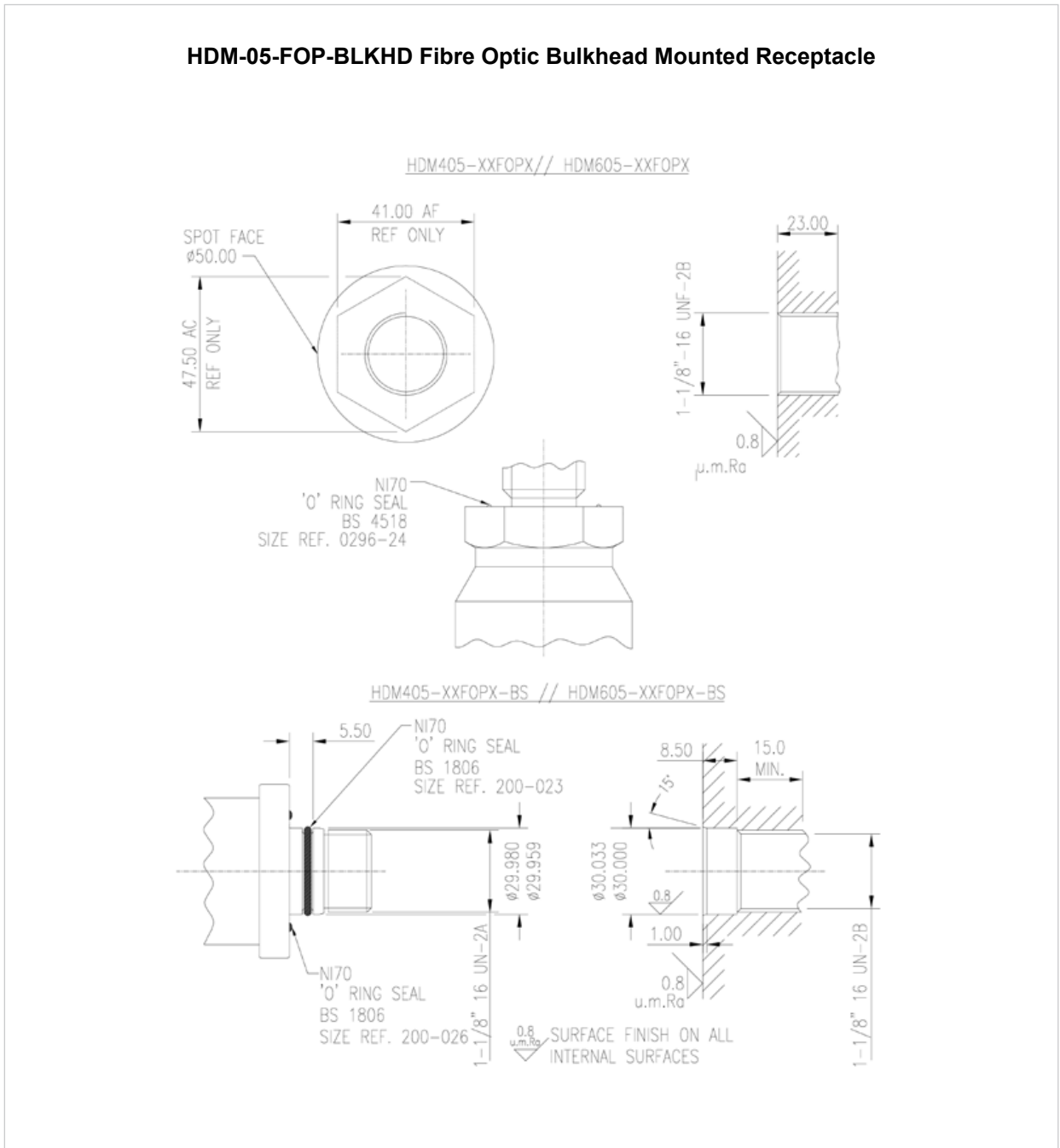
click to go back to INDEX page



Connector Mounting Details

Surface Mateable Electrical Connectors

High Density Metal Keyed HDM (Hydro Bond Deck Mate) : **Shell Size 5 / Mounting Details**





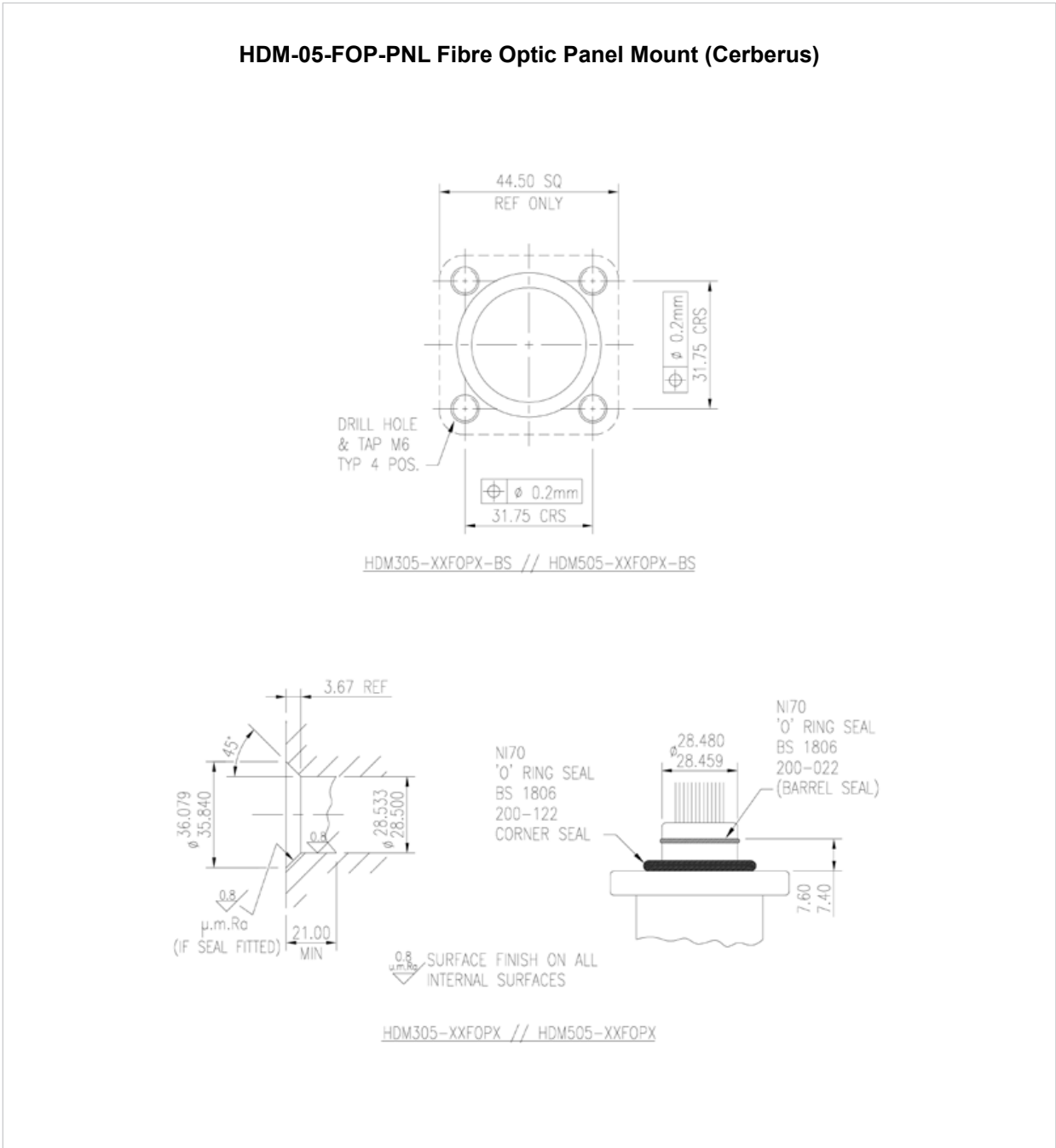
click to go back to INDEX page



Connector Mounting Details

Surface Mateable Electrical Connectors

High Density Metal Keyed HDM (Hydro Bond Deck Mate) : **Shell Size 5 / Mounting Details**





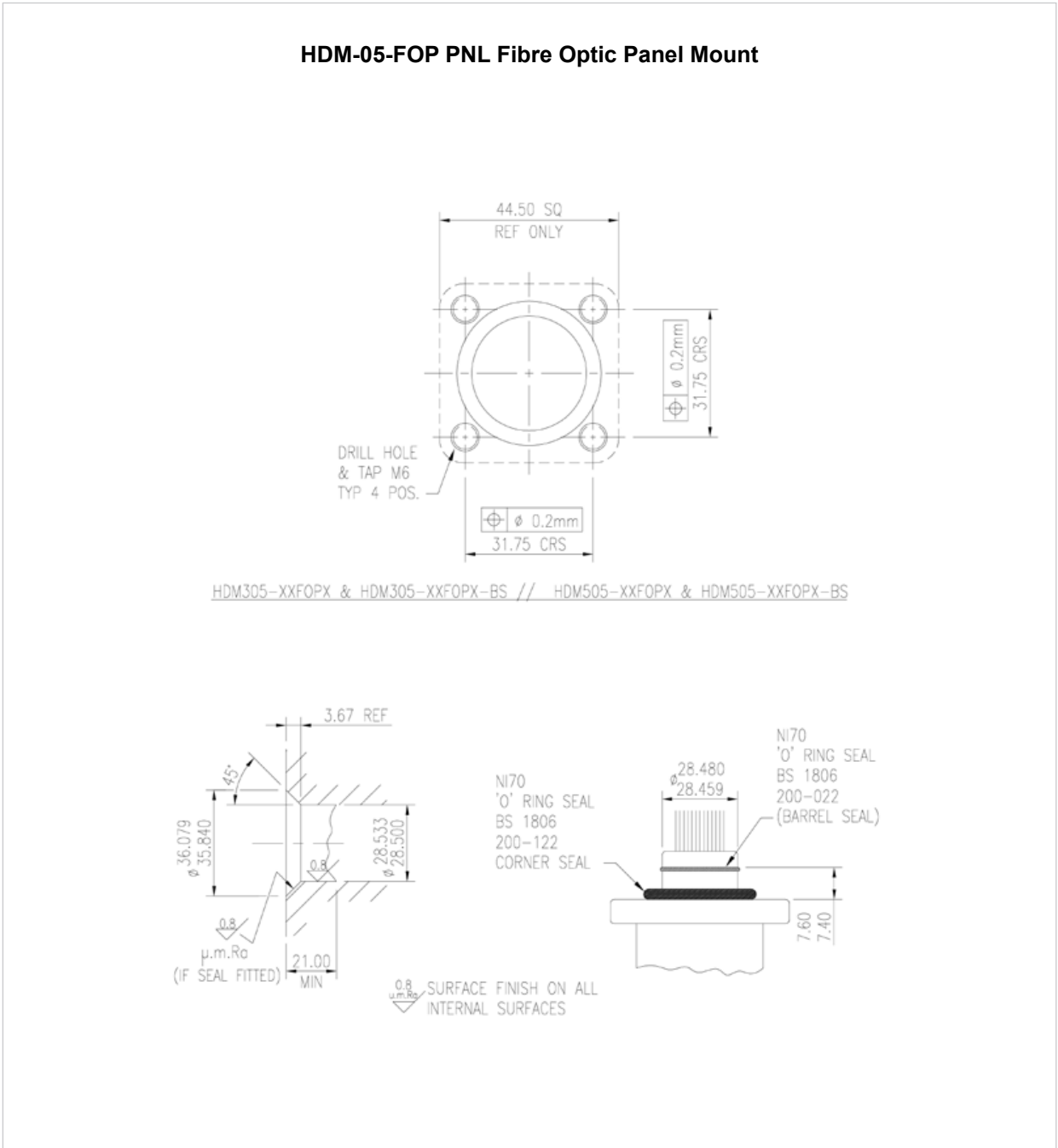
click to go back to INDEX page



Connector Mounting Details

Surface Mateable Electrical Connectors

High Density Metal Keyed HDM (Hydro Bond Deck Mate) : **Shell Size 5 / Mounting Details**





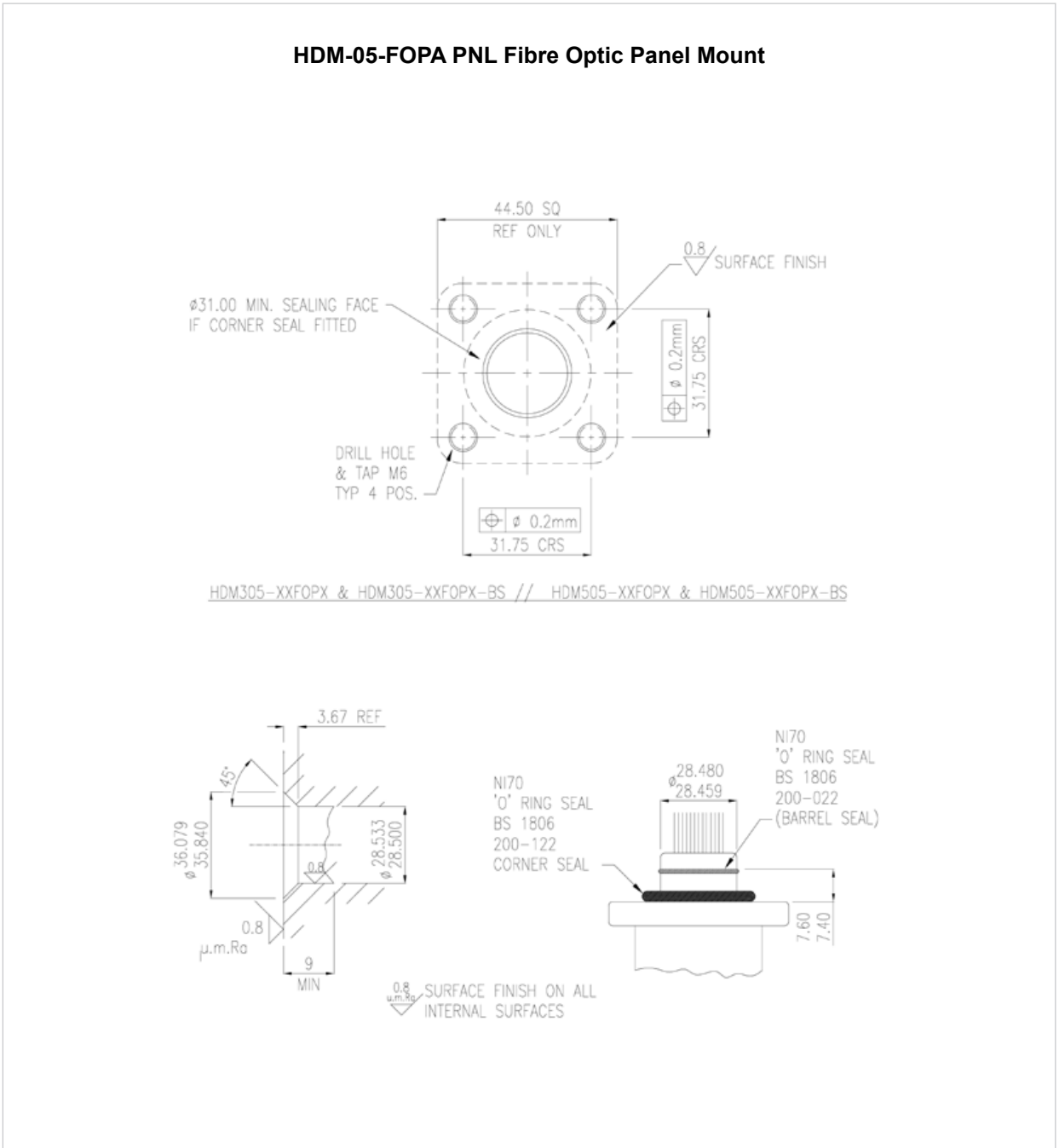
click to go back to INDEX page



Connector Mounting Details

Surface Mateable Electrical Connectors

High Density Metal Keyed HDM (Hydro Bond Deck Mate) : Shell Size 5 / Mounting Details





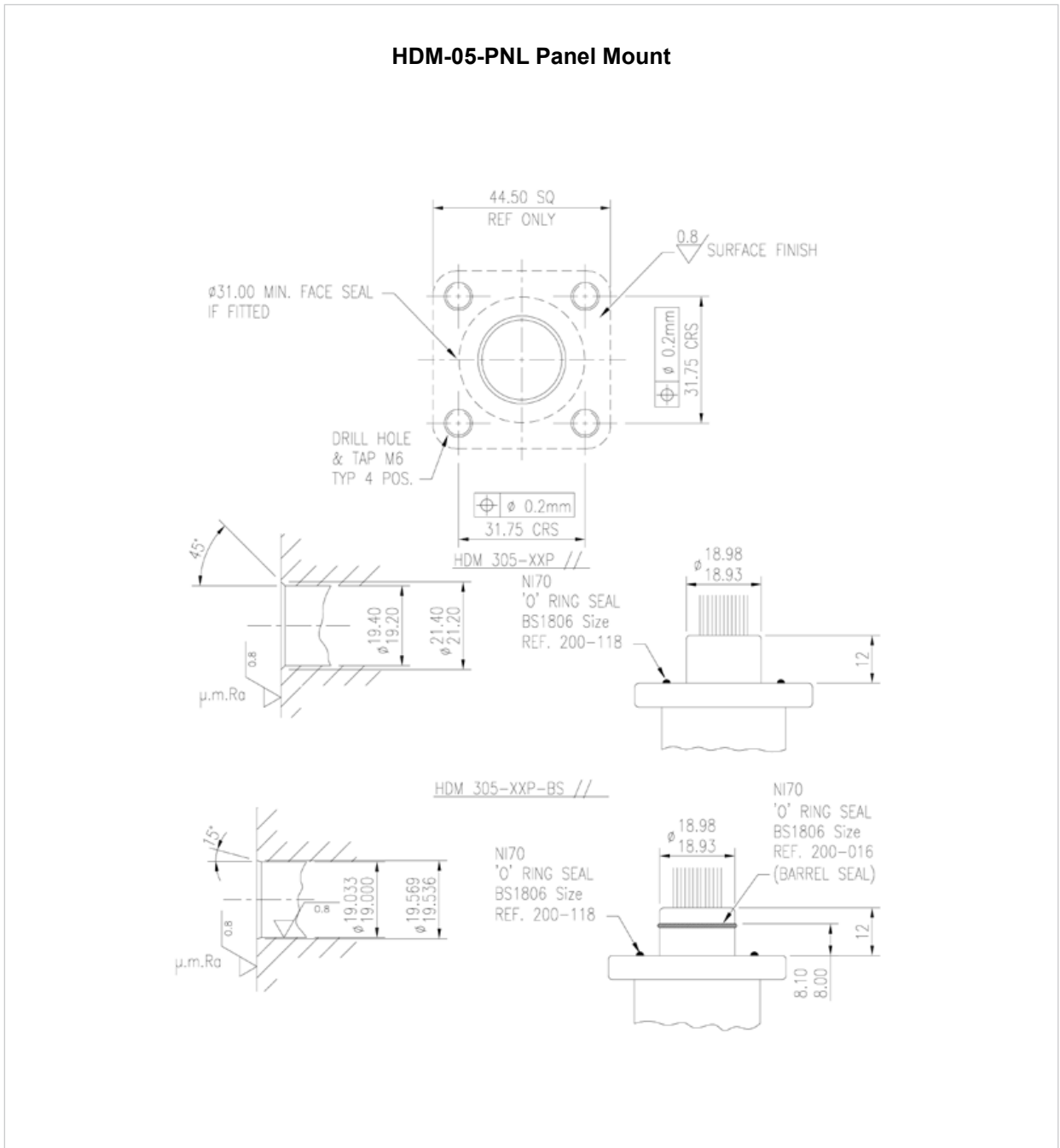
click to go back to INDEX page



Connector Mounting Details

Surface Mateable Electrical Connectors

High Density Metal Keyed HDM (Hydro Bond Deck Mate) : **Shell Size 5 / Mounting Details**





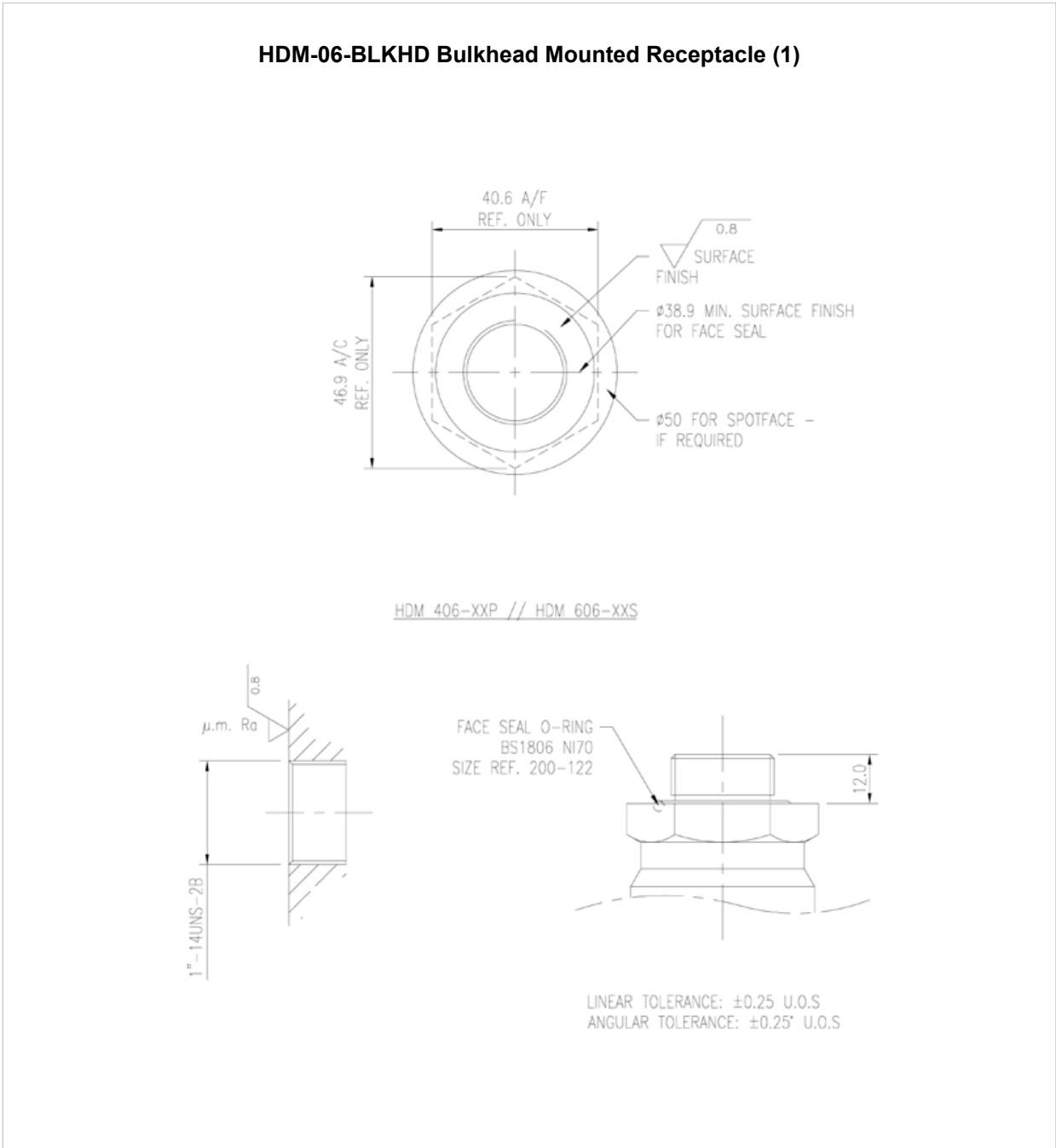
click to go back to INDEX page



Connector Mounting Details

Surface Mateable Electrical Connectors

High Density Metal Keyed HDM (Hydro Bond Deck Mate) : **Shell Size 6 / Mounting Details**





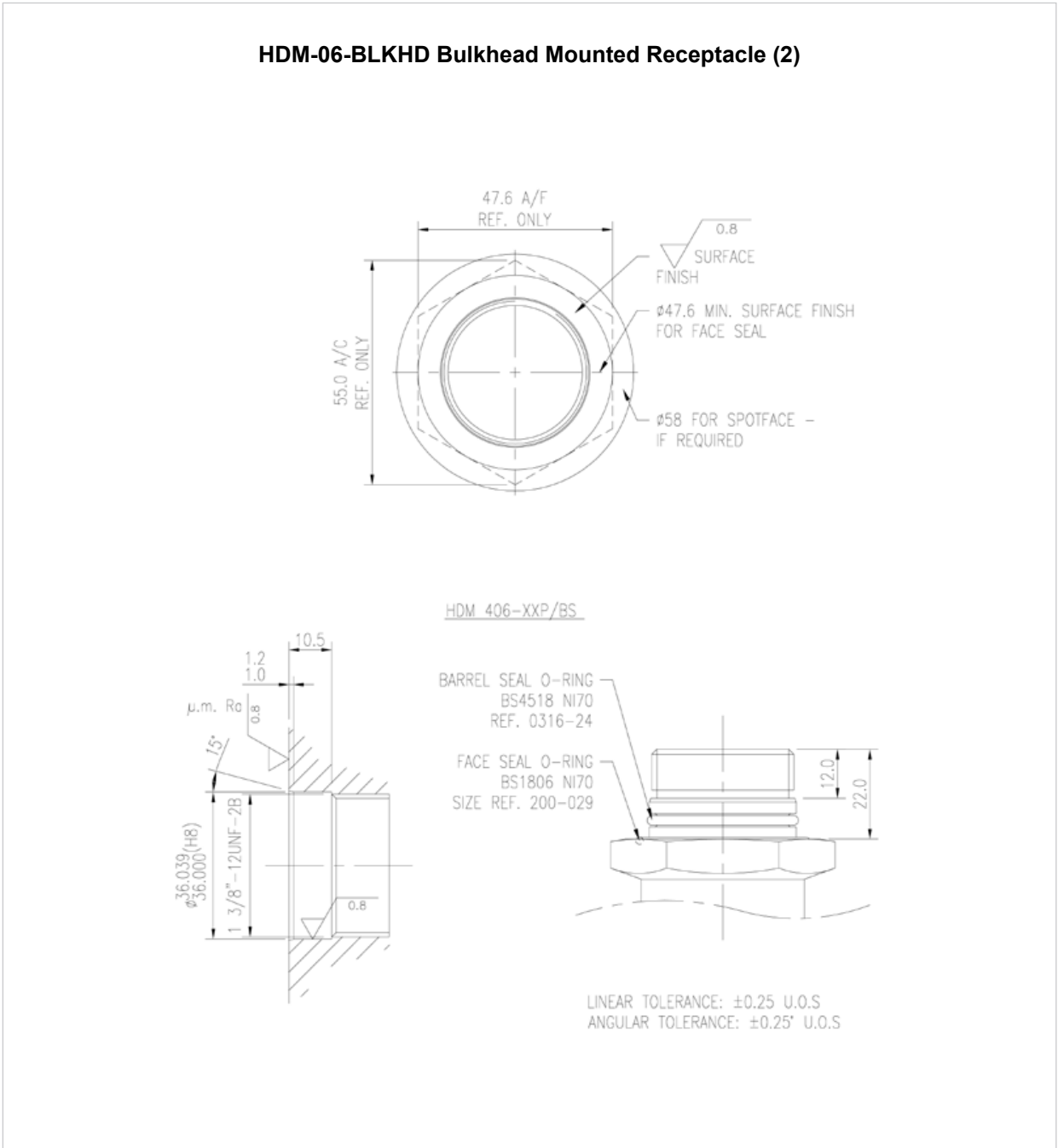
click to go back to INDEX page



Connector Mounting Details

Surface Mateable Electrical Connectors

High Density Metal Keyed HDM (Hydro Bond Deck Mate) : **Shell Size 6 / Mounting Details**





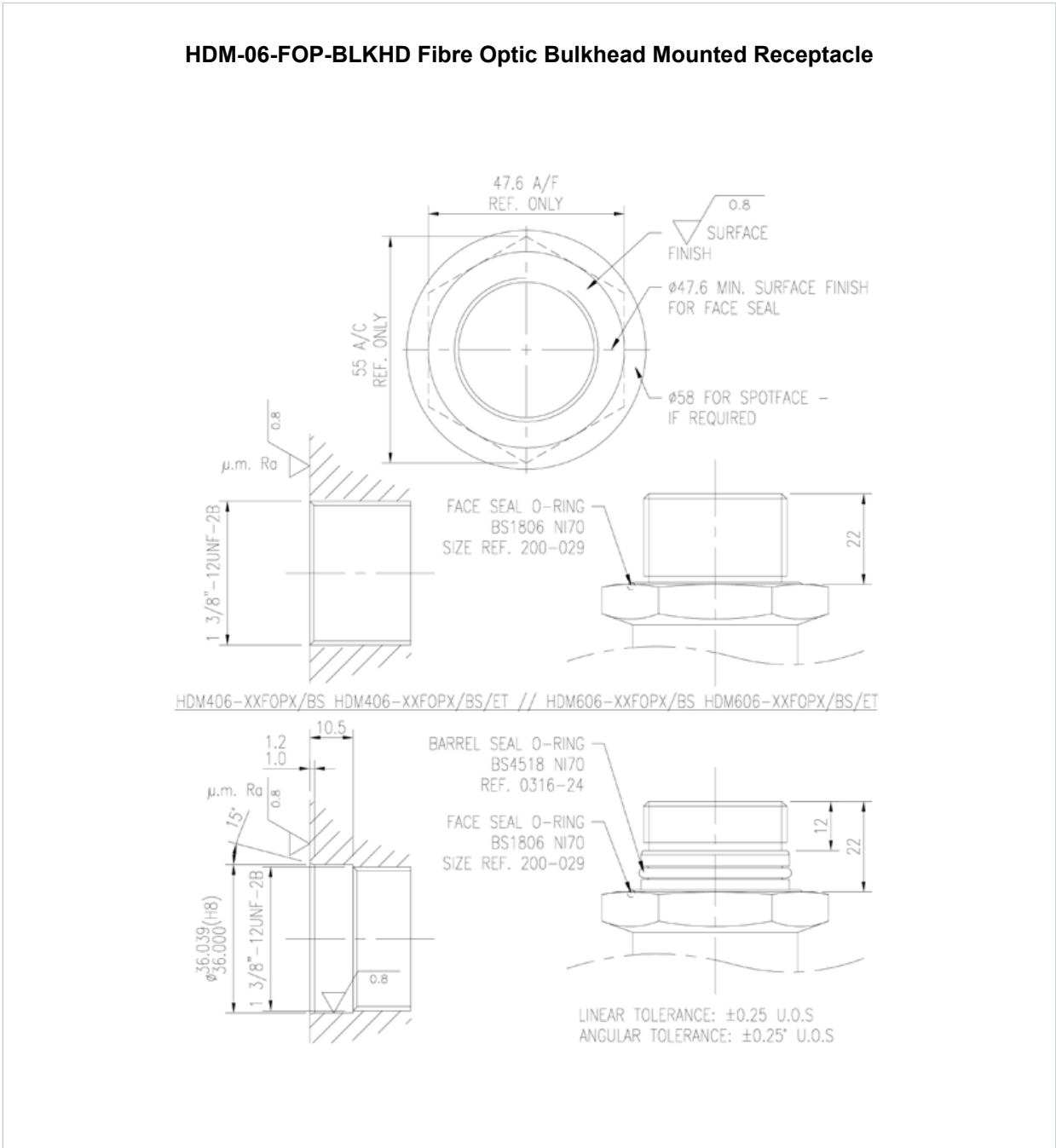
click to go back to INDEX page



Connector Mounting Details

Surface Mateable Electrical Connectors

High Density Metal Keyed HDM (Hydro Bond Deck Mate) : **Shell Size 6 / Mounting Details**





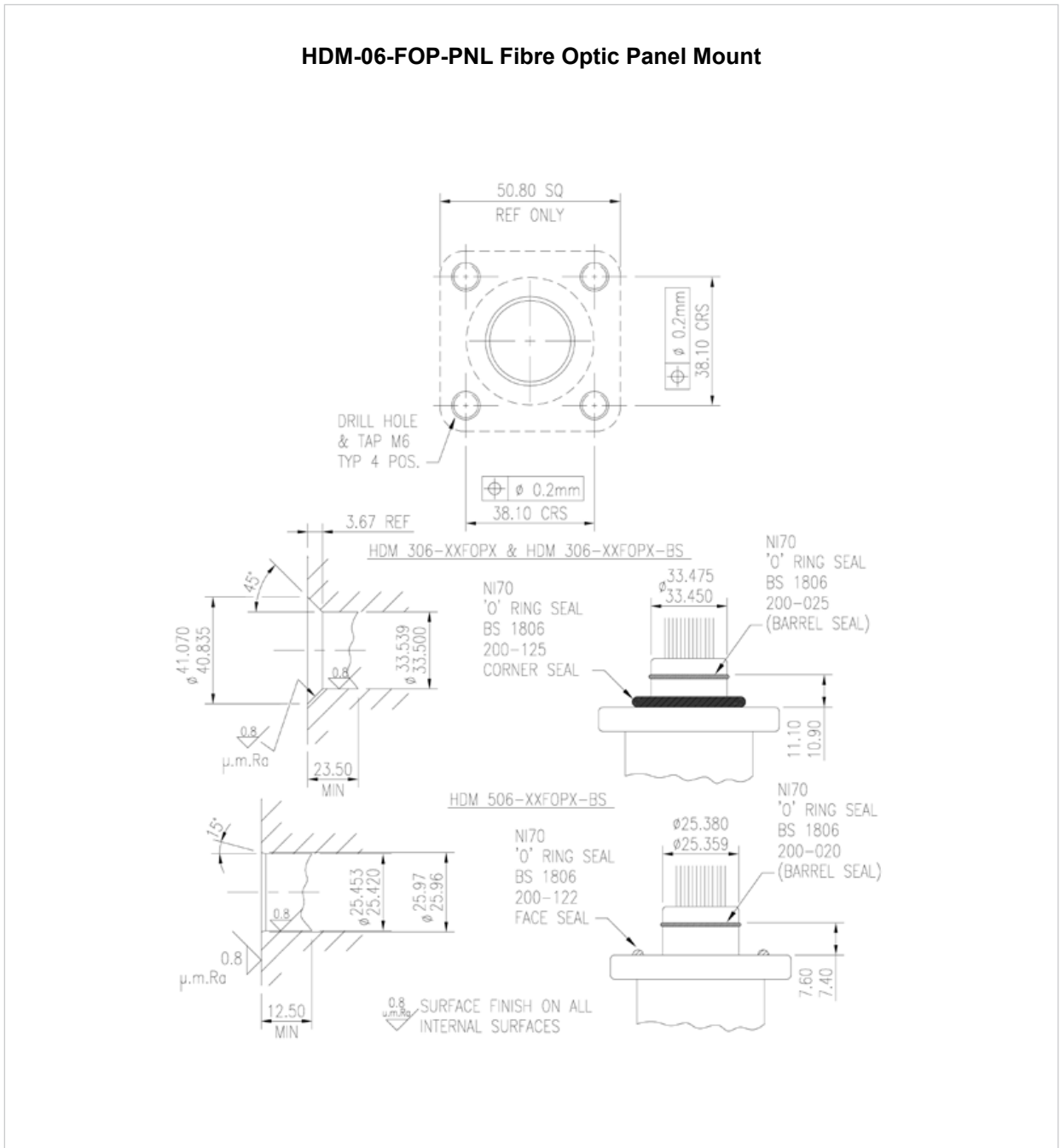
click to go back to INDEX page



Connector Mounting Details

Surface Mateable Electrical Connectors

High Density Metal Keyed HDM (Hydro Bond Deck Mate) : Shell Size 6 / Mounting Details





click to go back to INDEX page

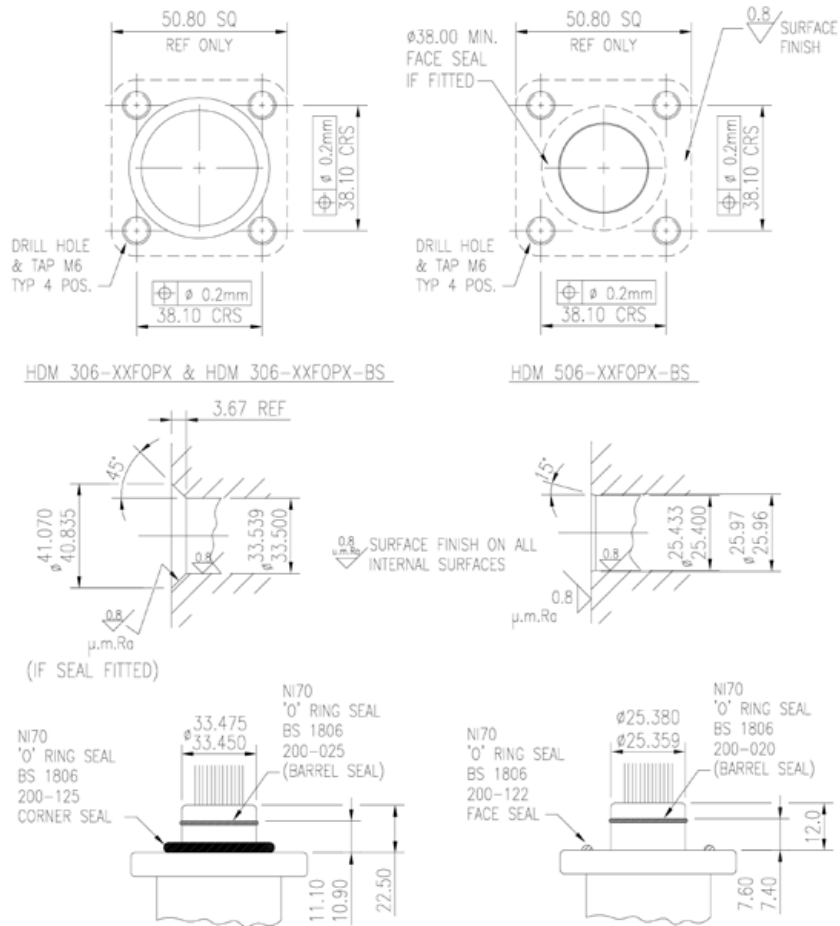


Connector Mounting Details

Surface Mateable Electrical Connectors

High Density Metal Keyed HDM (Hydro Bond Deck Mate) : **Shell Size 6 / Mounting Details**

DM-06-FOPA-PNL Fibre Optic Panel Mount (Cerberus)





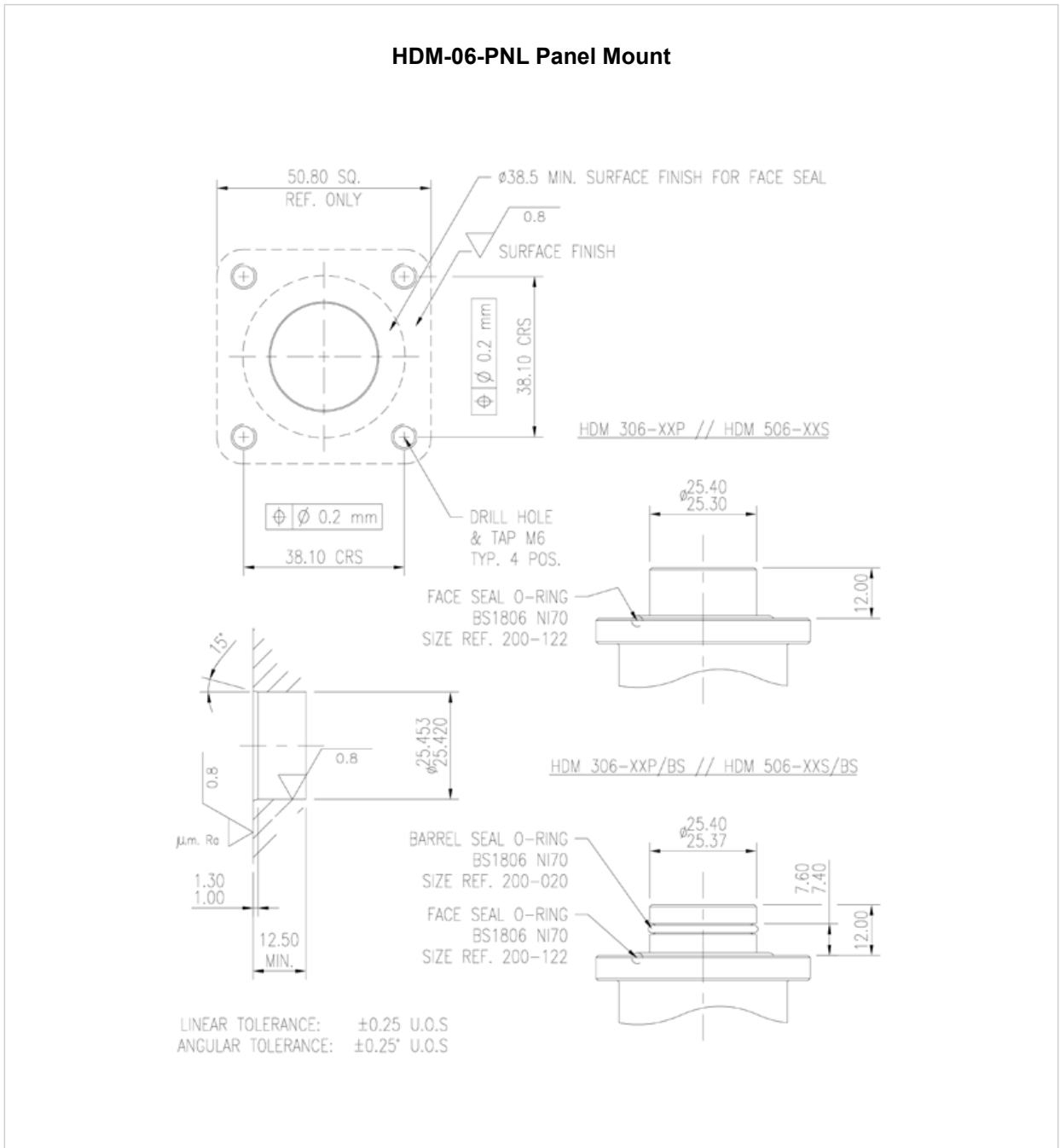
click to go back to INDEX page



Connector Mounting Details

Surface Mateable Electrical Connectors

High Density Metal Keyed HDM (Hydro Bond Deck Mate) : **Shell Size 6 / Mounting Details**





click to go back to INDEX page

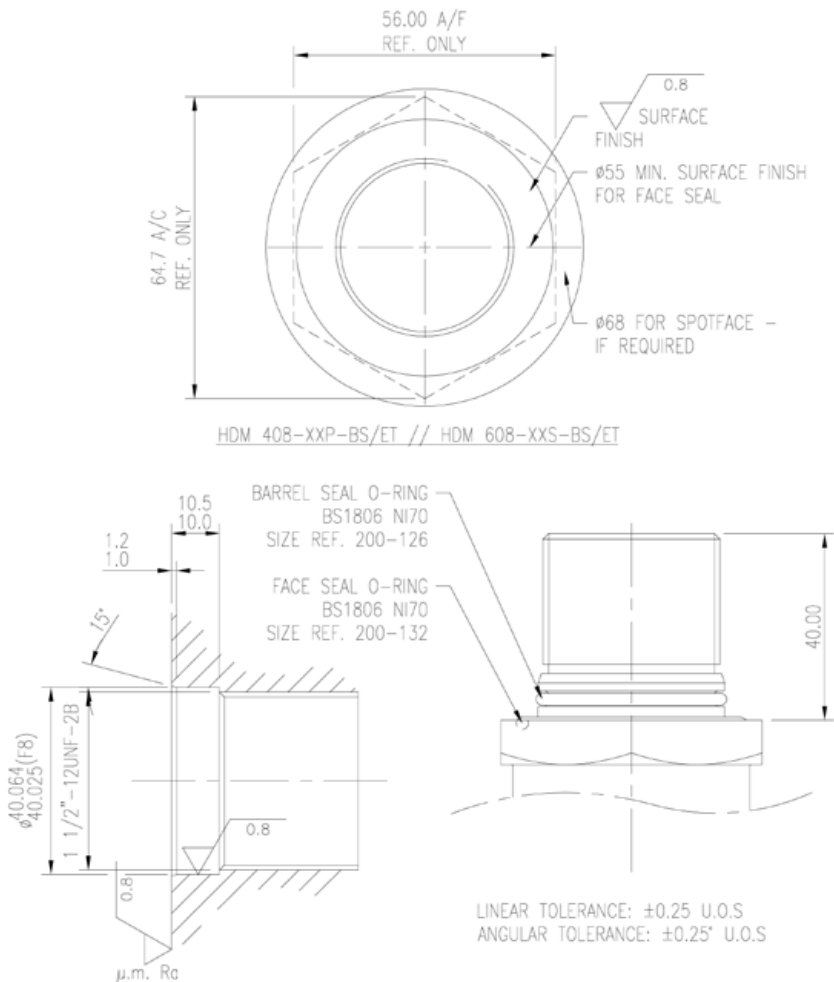


Connector Mounting Details

Surface Mateable Electrical Connectors

High Density Metal Keyed HDM (Hydro Bond Deck Mate) : **Shell Size 8 / Mounting Details**

HDM-08-BLKHD-ET Bulkhead Mounted Receptacle Extended Thread





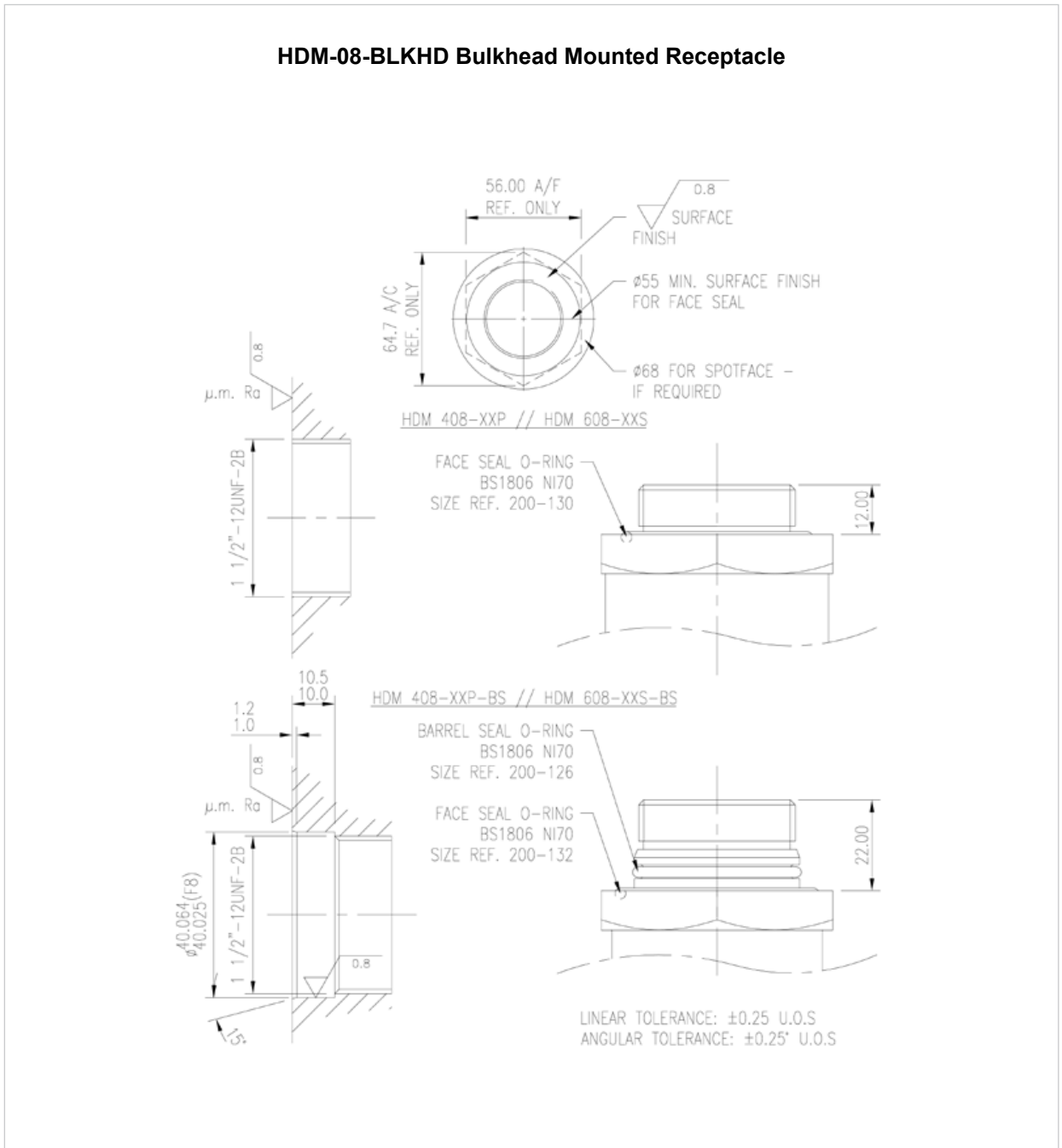
click to go back to INDEX page



Connector Mounting Details

Surface Mateable Electrical Connectors

High Density Metal Keyed HDM (Hydro Bond Deck Mate) : **Shell Size 8 / Mounting Details**





click to go back to INDEX page



Connector Mounting Details

Surface Mateable Electrical Connectors

High Density Metal Keyed HDM (Hydro Bond Deck Mate) : **Shell Size 11 / Mounting Details**

