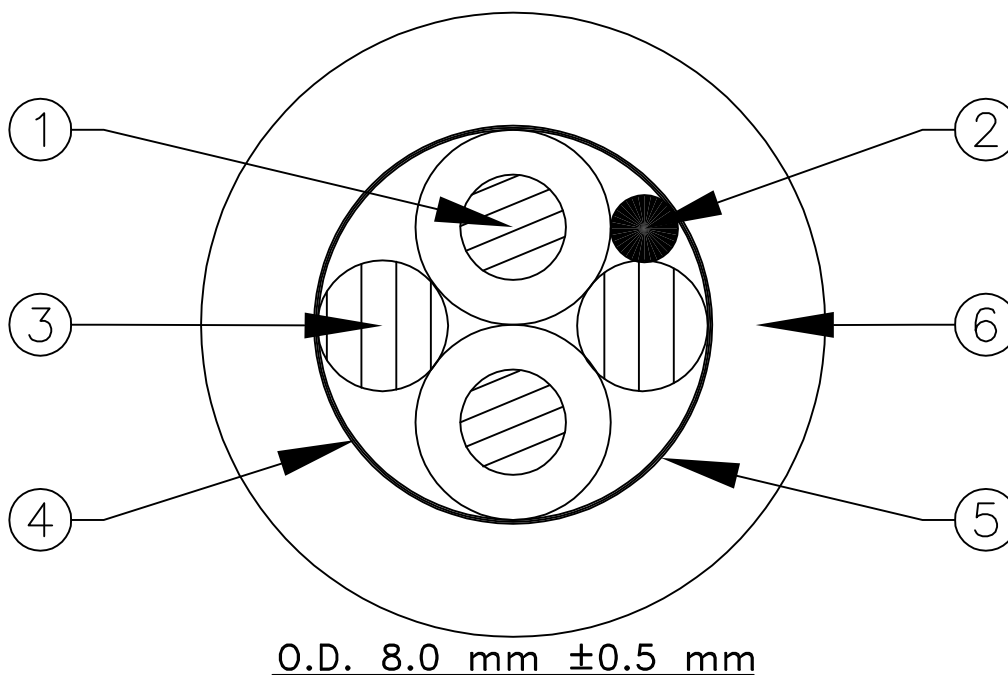


THIS DRAWING IS THE PROPERTY AND COPYRIGHT OF HYDROCABLE SYSTEMS LTD AND THE INFORMATION CONTAINED THEREIN MAY NOT BE USED OR DISCLOSED TO A THIRD PARTY WITHOUT THE WRITTEN PERMISSION OF HYDROCABLE SYSTEMS LTD

CABLE ATTRIBUTES	APPROX.
OVERALL DIAMETER	8.0 mm
RADIAL THICKNESS OF OUTER SHEATH	1.4 mm
LAI D UP DIAMETER OF CABLE	5.2 mm
WEIGHT OF CABLE IN AIR (APPROX.)	70 kg/km
WEIGHT OF CABLE IN SEAWATER (APPROX.)	19 kg/km
AMBIENT OPERATING TEMPERATURE RANGE	-20 to 50 °C
MAXIMUM CONDUCTOR TEMPERATURE	60 °C
MINIMUM RECOMMENDED STATIC BEND RADIUS	120 mm
MINIMUM RECOMMENDED DYNAMIC BEND RADIUS	160 mm
MAXIMUM WORKING PRESSURE	2000 PSI

ITEM	QTY.	DESCRIPTION
1	2	1.0 mm ² CONDUCTOR (MEDIUM DENSITY POLYETHYLENE INSULATION)
2	1	1.0 mm ² TINNED COPPER DRAIN WIRE
3	2	1.85 mm DIAMETER FILLER (POLYPROPYLENE MATERIAL)
4	A/R	ALUMINIUM/ POLYESTER TAPE
5	A/R	POLYESTER TAPE
6	A/R	POLYURETHANE SHEATH (R.T. 1.4 mm)



DESCRIPTION :

ONE TWISTED SCREENED PAIR (1.0 mm², MEDIUM DENSITY POLYETHYLENE INSULATION) + POLYURETHANE SHEATH (R.T. 1.4 mm)

9

ELECTRICAL CHARACTERISTICS	1.0 mm ²
MAX CONDUCTOR RESISTANCE @ 20°C	20.0 Ω/km
VOLTAGE RATING	500 V AC
ROUTINE TEST VOLTAGE	2 kV AC/ 3 kV DC
TEST VOLTAGE DURATION	1 MINUTE
AC SPARK TEST VOLTAGE	6 kV
CURRENT RATING @ 35°C	11 A
INSULATION RESISTANCE 15-35°C @ 500 V DC	> 1000 MΩ/km

						"CAD" DRAWING - REVISE AT SOURCE - DO NOT SCALE		HYDROCABLE SYSTEMS Ltd HYDRO HOUSE, CLAYMORE AVENUE, ABERDEEN EMERGY PARK, BRIDGE OF DON, ABERDEEN, SCOTLAND, AB23 8GW TEL: +44 (0)1224 706611 FAX: +44 (0)1224 706066 e-mail: sales@hydrohouse.co.uk web site: http://www.hydrogroup.plc.uk			
						CUSTOMER ISSUE NOTIFICATION:-				NO	
						CUSTOMER NAME.				N/A	
						CUSTOMER REF. No.		N/A			
						REFERENCE DOCUMENTATION		TITLE			
								ONE T.S.P. (1.0 mm ²) + POLYURETHANE SHEATH			
09	9929	NEW TEMPLATE, UPDATE DESIGN	I.S.	22.04.15	S.M.	A.S.	DRG. No. CS 001				
08	7899	FS005/PP REPLACED WITH FS017/PP	M.G.	26.06.12	I.S.	D.B.					
07	7703	PERFORMANCE RECORD, NEW BORDER	M.G.	03.04.12	I.S.	A.S.					
06	N/A	N/A	R.M.	31.03.05	S.R.	S.R.					
ISSUE	D.R.F.	MODIFICATION	DRAWN	DATE	CHKD	APPD	DRG. STATUS	ACTIVE			
							DRG. No.	CS 001			
							SHEET 01	ISSUE 09			
							OF 04				